

CLUB AMENITIES @ CANYON TRAILS TOWNE CENTER GOODYEAR, AZ EMBREY PARTNERS

Project Team: EB

Project #: 21366

OWNER: Embrey Partners
1020 NE Loop 410, Suite 700
San Antonio, TX 78209
PHONE 210.804.5226
FAX
E-MAIL jshalley@embreydc.com

CONTACT: Jacob Shalley

INTERIOR DESIGNER: Design Environments, Inc.
3025 Chastain Meadows Pkwy, Suite 200
Marietta, GA 30066
PHONE 770.429.3200
FAX 770.429.3201

PROJECT DESIGNER: JUANITA BUTLER
E-MAIL jbutler@designenvironments.com

CAD DESIGNER: Tammy Perry
E-MAIL tperry@designenvironments.com

ARCHITECT: Kephart
2555 Walnut Street
Denver, CO 80205
PHONE 303.832.4474
FAX 303.832.4476
E-MAIL anthonyl@kephart.com

PROJECT ARCHITECT: Anthony Lieser

Design Environments

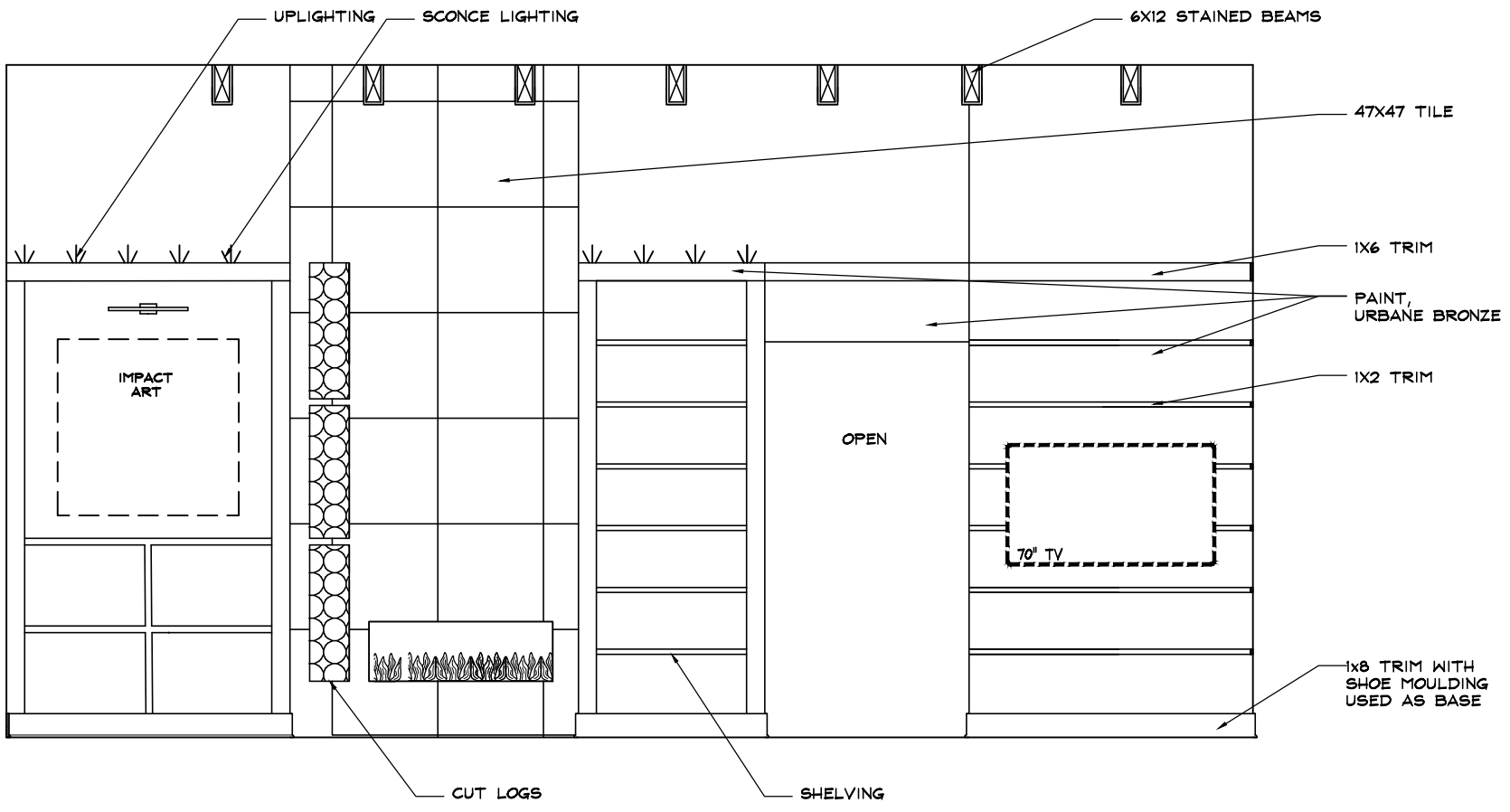
INTERIOR DESIGN * SPACE PLANNING * MARKETING
3025 CHASTAIN MEADOWS SUITE 200 MARIETTA, GEORGIA PHONE 770.429.3200 FAX 770.429.3201
* EMAIL EMAIL@DESIGNENVIRONMENTS.COM*

CLUB AMENITIES @
CANYON TRAILS TOWNE CENTER
GOODYEAR, AZ
EMBREY PARTNERS
PRESENTATION DRAWINGS

21366

CAD DESIGNER: TP
DESIGNER: JB
PRESENTATION DATE: 00/00/00

This Drawing is the property of
Design Environments Inc.
and may not be reproduced
or used without their
written permission



GREAT ROOM
SCALE: NTS

21366

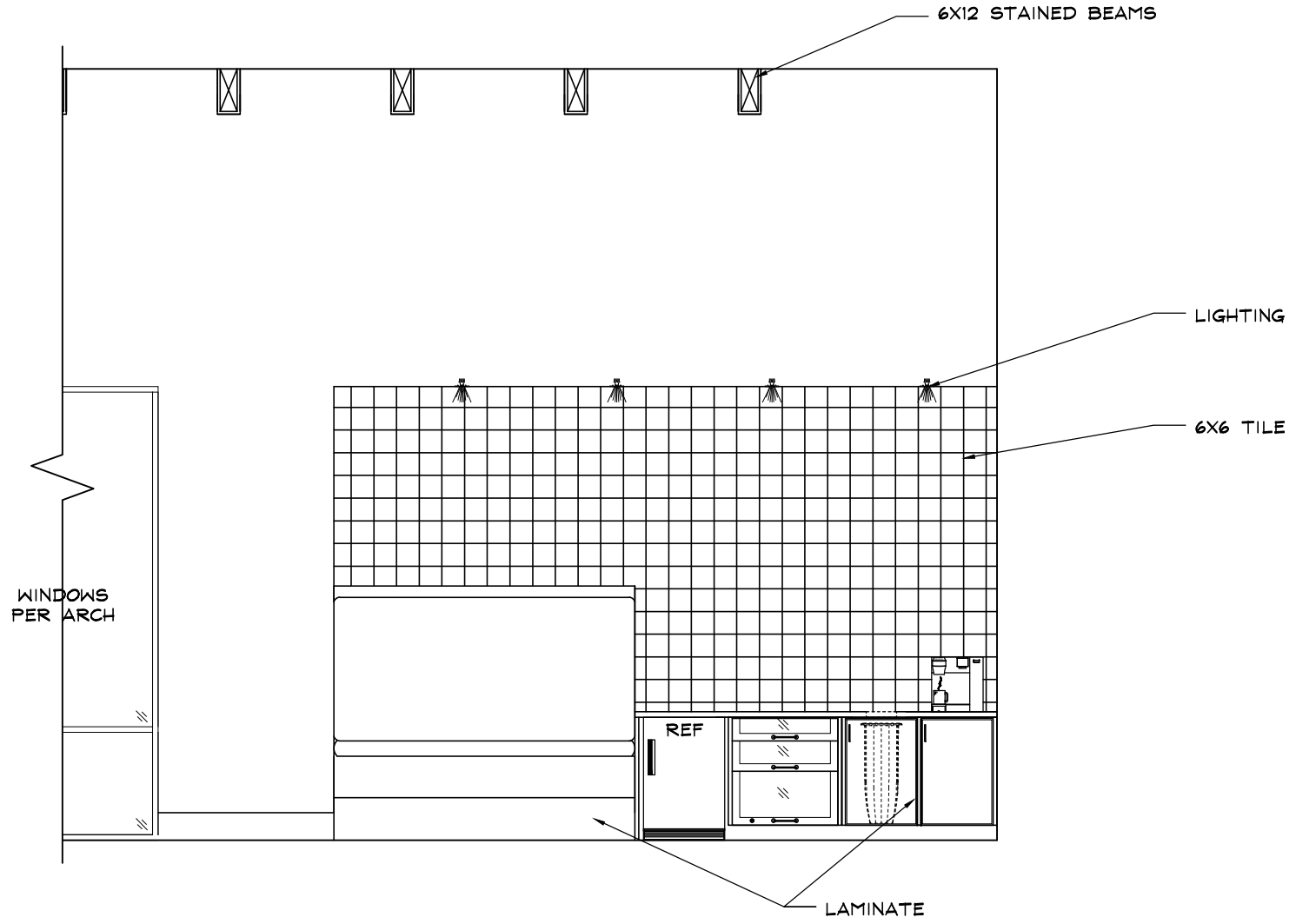
CAD DESIGNER: TP
DESIGNER: JB
PRESENTATION DATE: 00/00/00

This Drawing is the property of Design Environments Inc. and may not be reproduced or used without their written permission.

CLUB AMENITIES @
CANYON TRAILS TOWNE CENTER
GOODYEAR, AZ
EMBREY PARTNERS
PRESENTATION DRAWINGS

Design Environments

INTERIOR DESIGN * SPACE PLANNING * MARKETING
3025 CHASTAIN MEADOWS SUITE 200 MARIETTA, GEORGIA PHONE 770-429-2500 FAX 770-429-3201
* EMAIL: EMAIL@DESIGNEENVIRONMENTS.COM *



GREAT ROOM

SCALE: NTS

21366

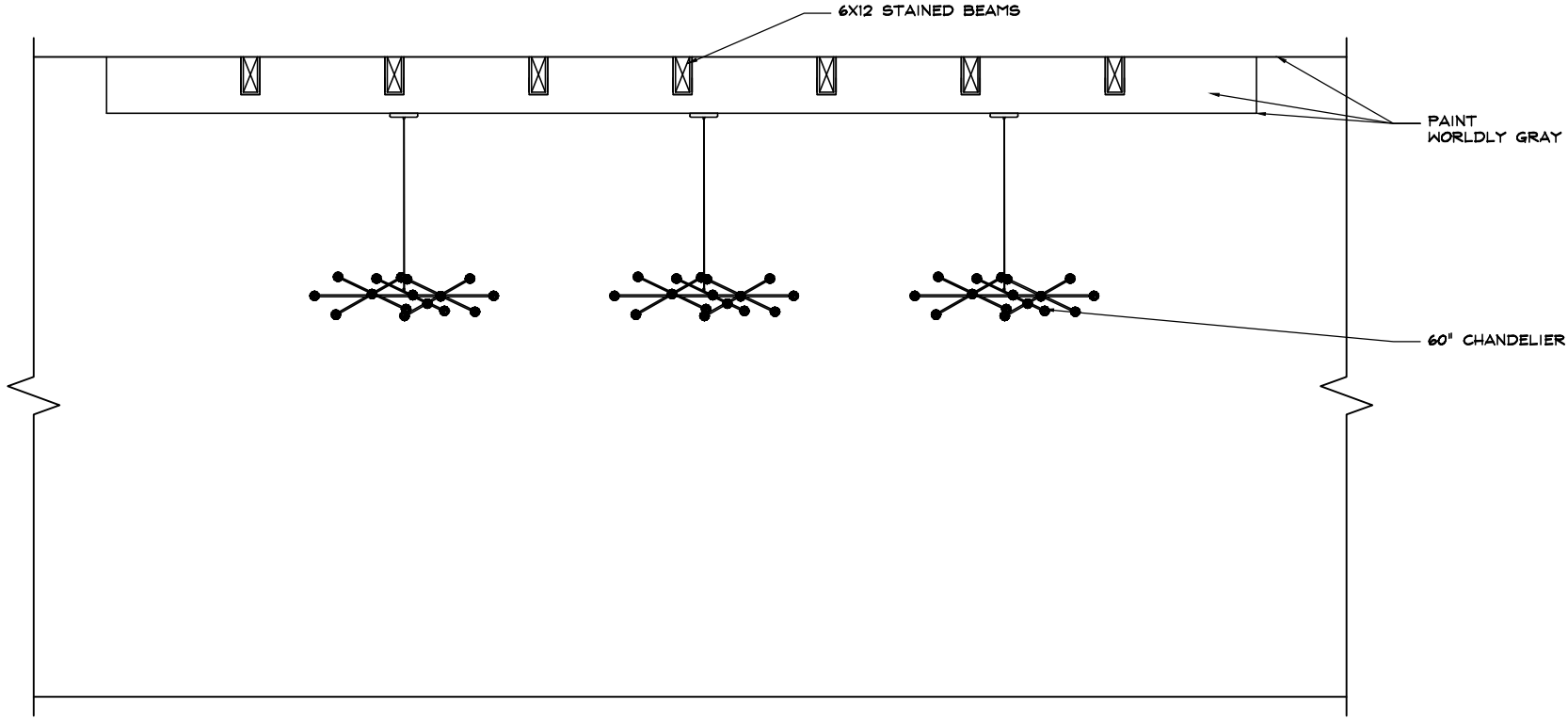
CAD DESIGNER: TP
 DESIGNER: JB
 PRESENTATION DATE: 00/00/00

This Drawing is the property of
 Design Environments Inc.
 and may not be reproduced
 or used without their
 written permission

CLUB AMENITIES @
CANYON TRAILS TOWNE CENTER
GOODYEAR, AZ
EMBREY PARTNERS
PRESENTATION DRAWINGS

Design Environments

INTERIOR DESIGN * SPACE PLANNING * MARKETING
 3025 CHASTAIN MEADOWS SUITE 200 MARIETTA, GEORGIA PHONE 770-429-2500 FAX 770-429-3201
 * EMAIL EMAIL@DESIGNENVIRONMENTS.COM *



GREAT ROOM

SCALE: NTS

21366

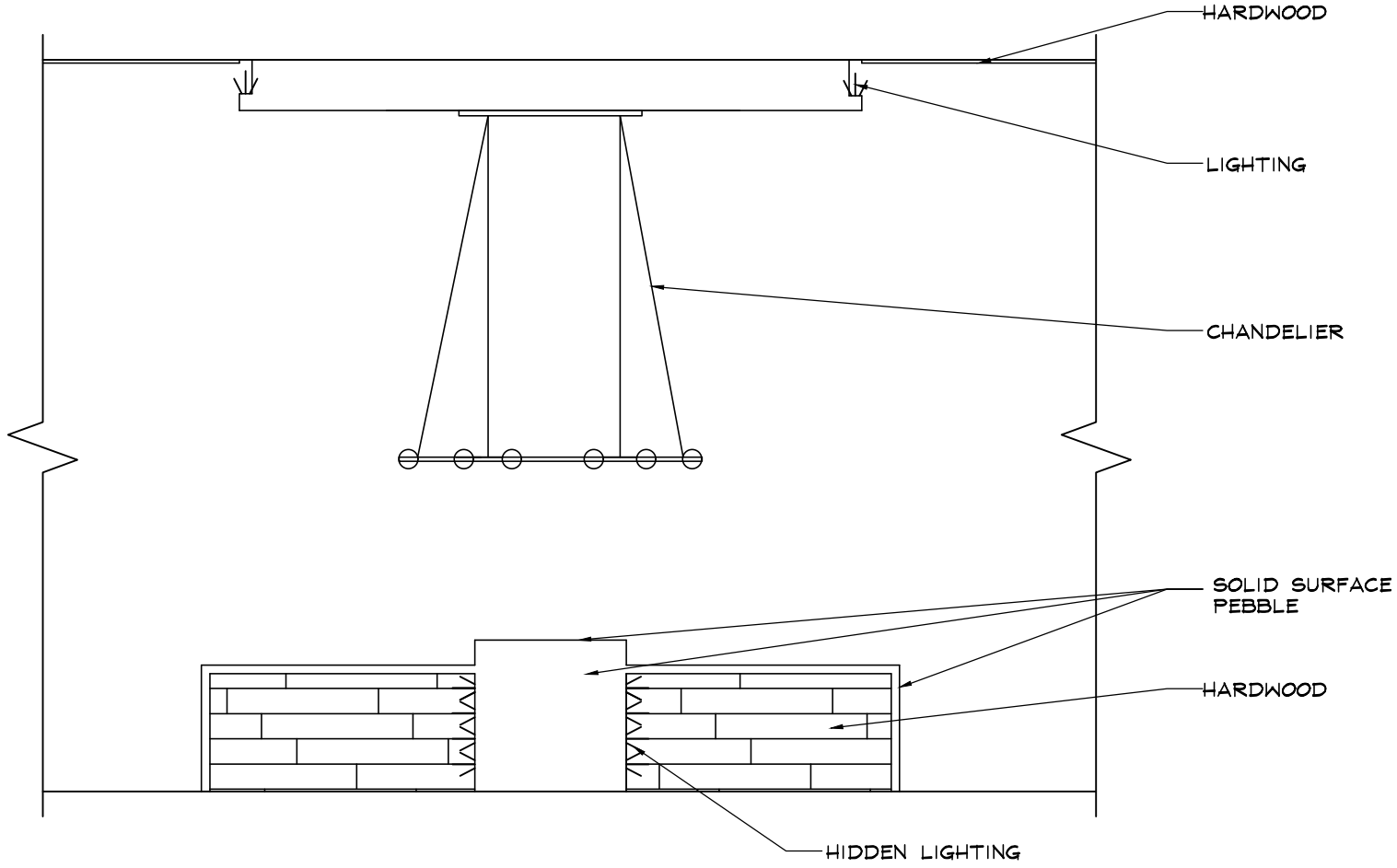
CAD DESIGNER: TP
DESIGNER: JB
PRESENTATION DATE: 00/00/00

This Drawing is the property of
Design Environments Inc.
and may not be reproduced
or used without their
written permission

CLUB AMENITIES @
CANYON TRAILS TOWNE CENTER
GOODYEAR, AZ
EMBREY PARTNERS
PRESENTATION DRAWINGS

Design Environments

INTERIOR DESIGN * SPACE PLANNING * MARKETING
3025 CHASTAIN MEADOWS SUITE 200 MARIETTA, GEORGIA PHONE 770-429-2500 FAX 770-429-3201
* EMAIL EMAIL@DESIGNENVIRONMENTS.COM *



LEASING

SCALE: NTS

Design Environments

INTERIOR DESIGN * SPACE PLANNING * MARKETING
3025 CHASTAIN MEADOWS SUITE 200 MARIETTA, GEORGIA PHONE 770-429-2500 FAX 770-429-3201
* EMAIL EMAIL@DESIGNENVIRONMENTS.COM *

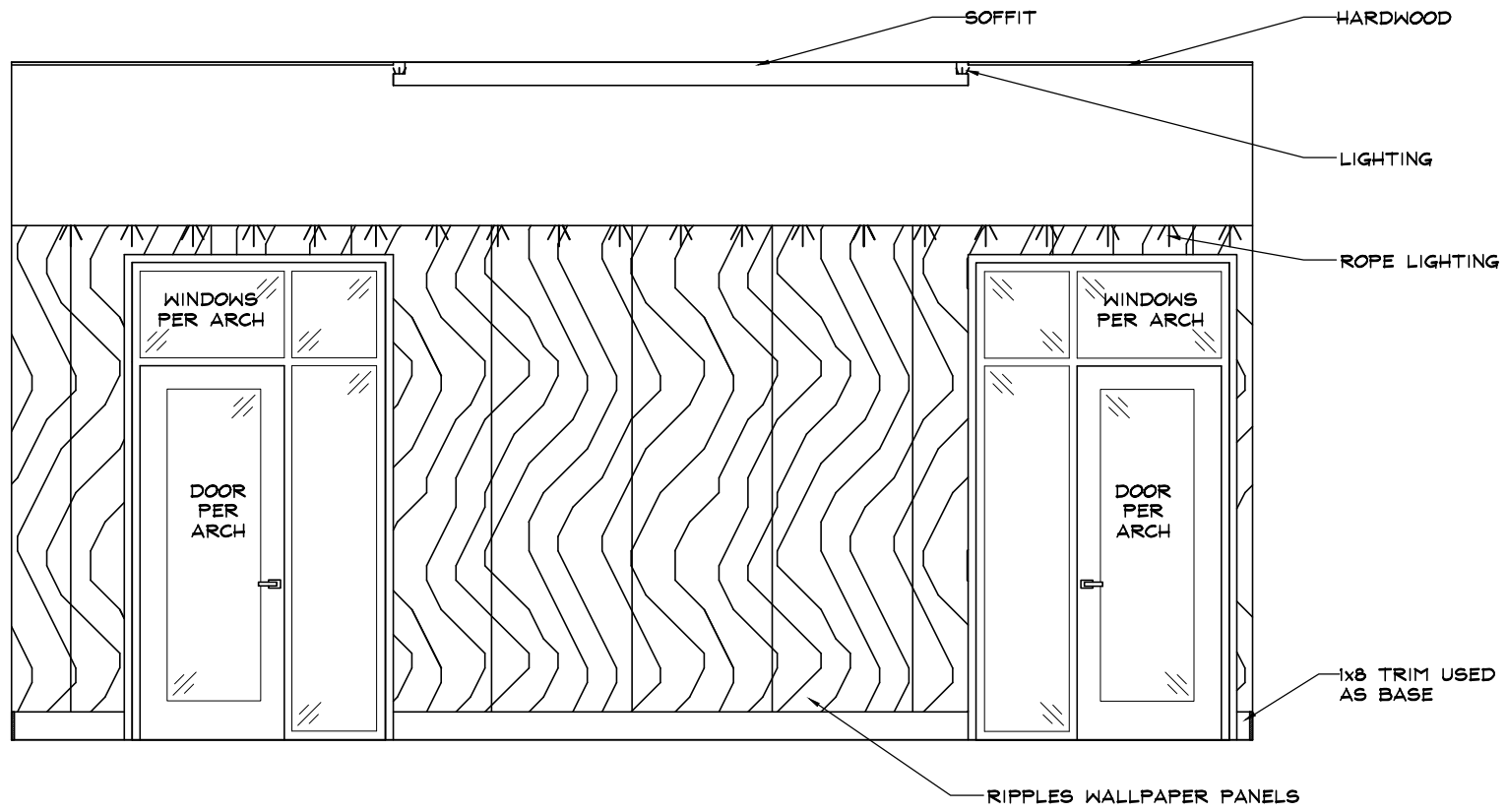
**CLUB AMENITIES @
CANYON TRAILS TOWNE CENTER
GOODYEAR, AZ
EMBREY PARTNERS
PRESENTATION DRAWINGS**

21366

CAD DESIGNER: TP
DESIGNER: JB
PRESENTATION DATE: 00/00/00

This Drawing is the property of
Design Environments Inc.
and may not be reproduced
or used without their
written permission

P:\2021-PROJ\21-MISC\21366\PRESENTATION\21366-PSNT.dwg Feb 28, 2022 - 2:14pm



LEASING

SCALE: NTS

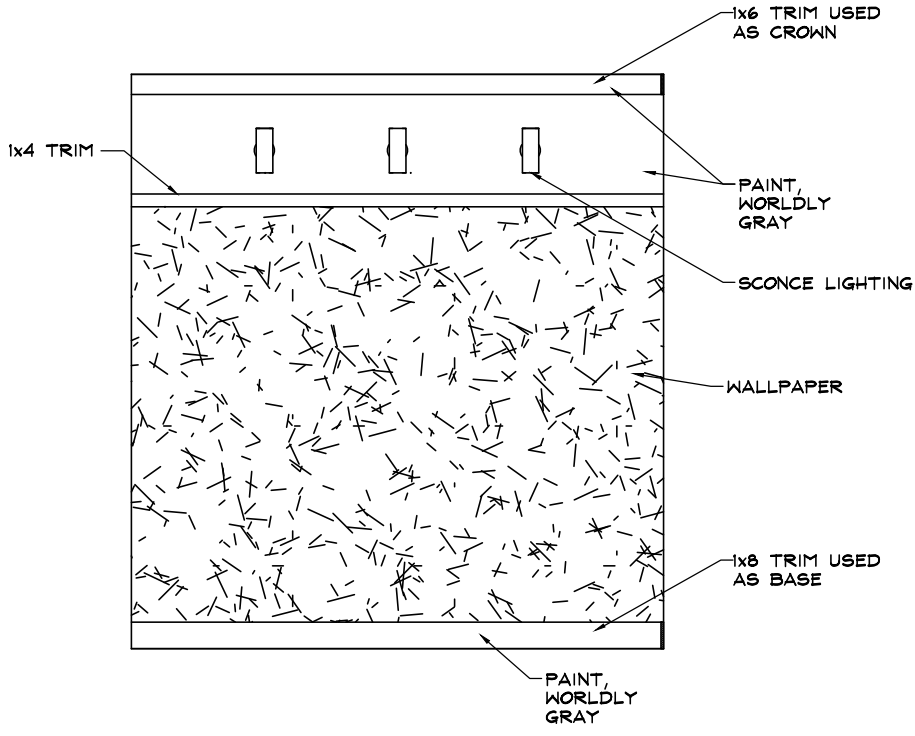
21366

CAD DESIGNER: TP
 DESIGNER: JB
 PRESENTATION DATE: 00/00/00

This Drawing is the property of Design Environments Inc. and may not be reproduced or used without their written permission.

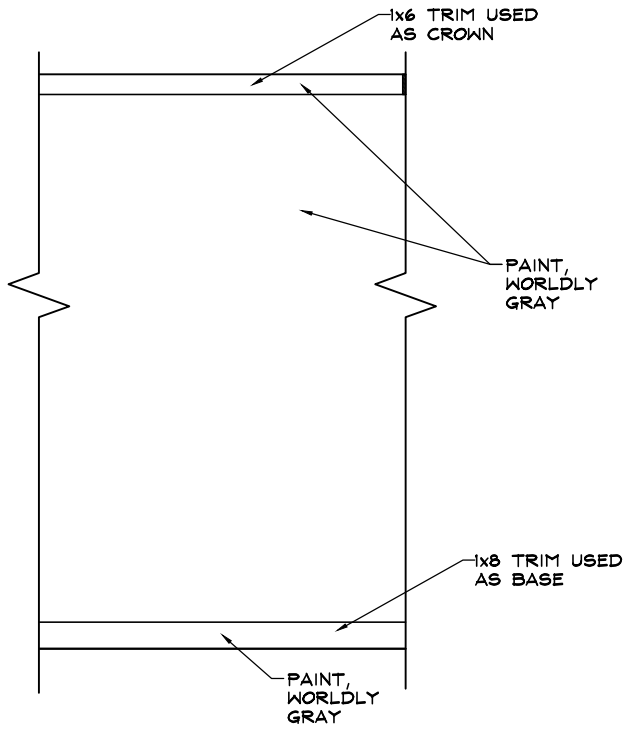
CLUB AMENITIES @
CANYON TRAILS TOWNE CENTER
GOODYEAR, AZ
EMBREY PARTNERS
PRESENTATION DRAWINGS

Design Environments
 INTERIOR DESIGN * SPACE PLANNING * MARKETING
 3025 CHASTAIN MEADOWS SUITE 200 MARIETTA, GEORGIA PHONE 770-429-2500 FAX 770-429-3201
 * EMAIL EMAIL@DESIGNENVIRONMENTS.COM *



OFFICE 1 & 2

SCALE: NTS



OFFICE 1 & 2 TYP.

SCALE: NTS

21366

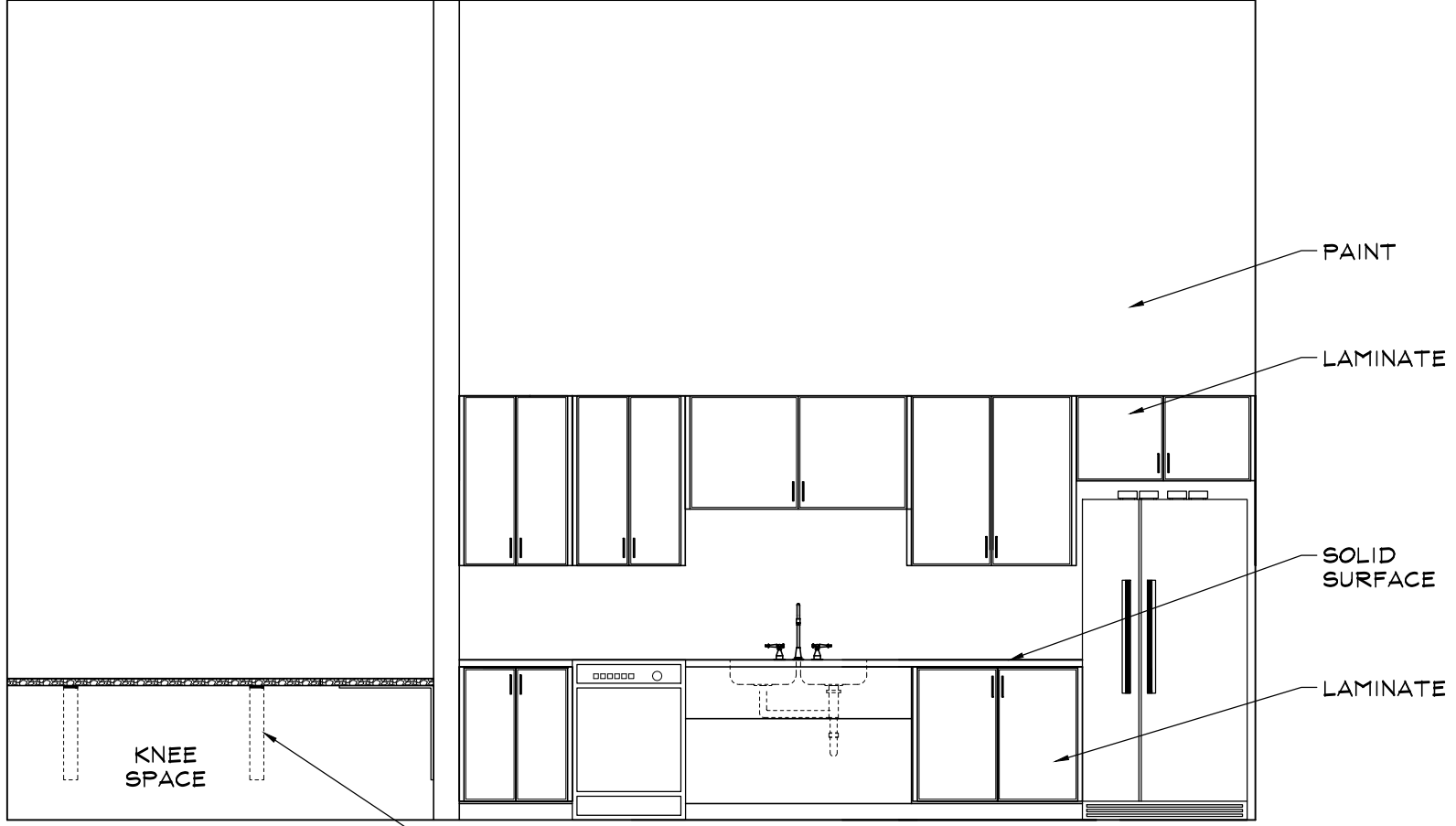
CAD DESIGNER: TP
 DESIGNER: JB
 PRESENTATION DATE: 00/00/00

This Drawing is the property of
 Design Environments Inc.
 and may not be reproduced
 or used without their
 written permission

CLUB AMENITIES @
CANYON TRAILS TOWNE CENTER
GOODYEAR, AZ
EMBREY PARTNERS
PRESENTATION DRAWINGS

Design Environments

INTERIOR DESIGN * SPACE PLANNING * MARKETING
 3025 CHASTAIN MEADOWS SUITE 200 MARIETTA, GEORGIA PHONE 770-429-2500 FAX 770-429-3201
 * EMAIL: EMAIL@DESIGNENVIRONMENTS.COM *



WORK ROOM

SCALE: NTS

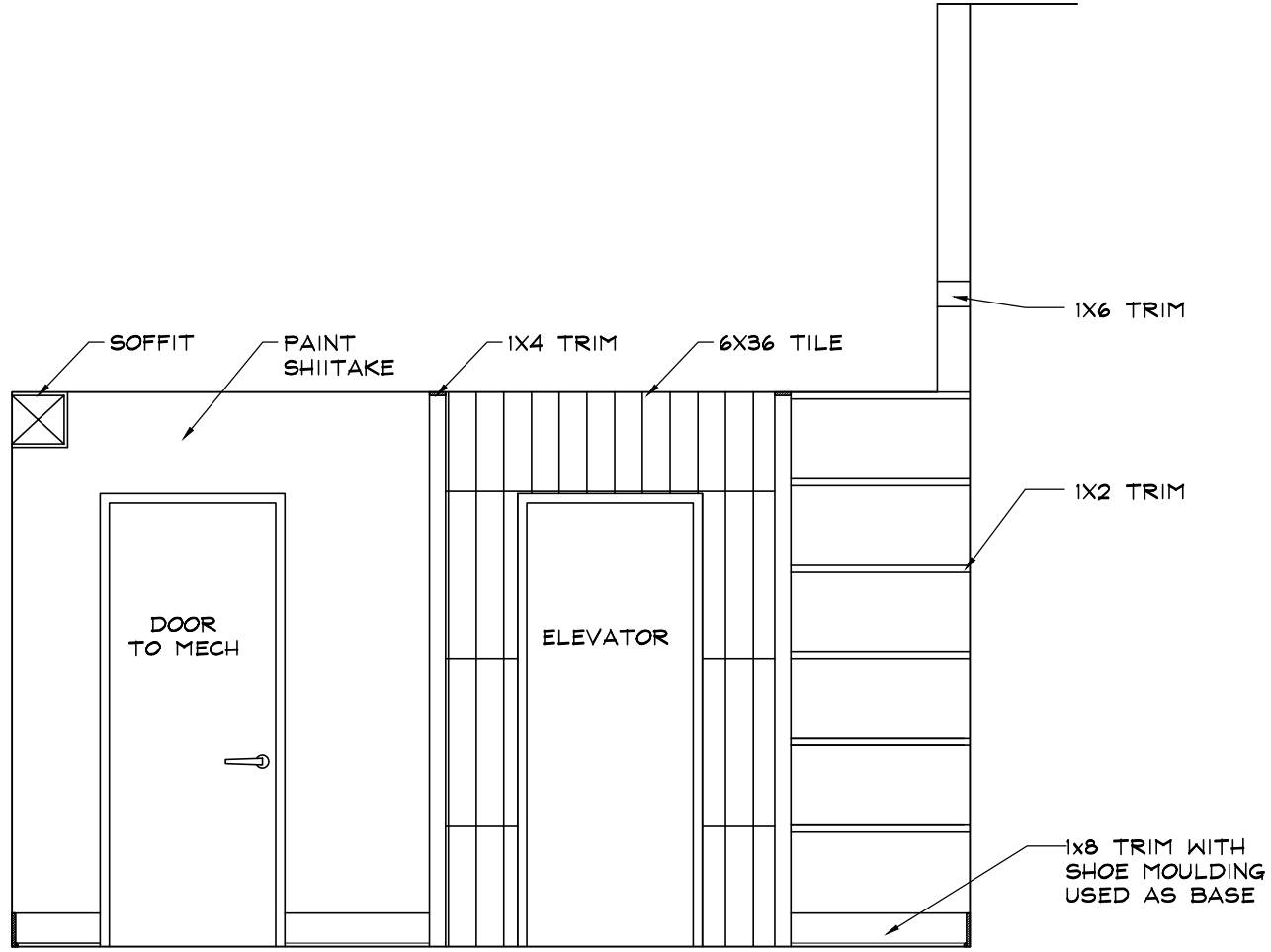
Design Environments
 INTERIOR DESIGN * SPACE PLANNING * MARKETING
 3025 CHASTAIN MEADOWS SUITE 200 MARIETTA, GEORGIA PHONE 770-429-2200 FAX 770-429-3201
 * EMAIL EMAIL@DESIGNENVIRONMENTS.COM *

CLUB AMENITIES @
CANYON TRAILS TOWNE CENTER
GOODYEAR, AZ
EMBREY PARTNERS
PRESENTATION DRAWINGS

21366

CAD DESIGNER: TP
 DESIGNER: JB
 PRESENTATION DATE: 00/00/00

This Drawing is the property of Design Environments Inc. and may not be reproduced or used without their written permission.



HALL

SCALE: NTS

Design Environments

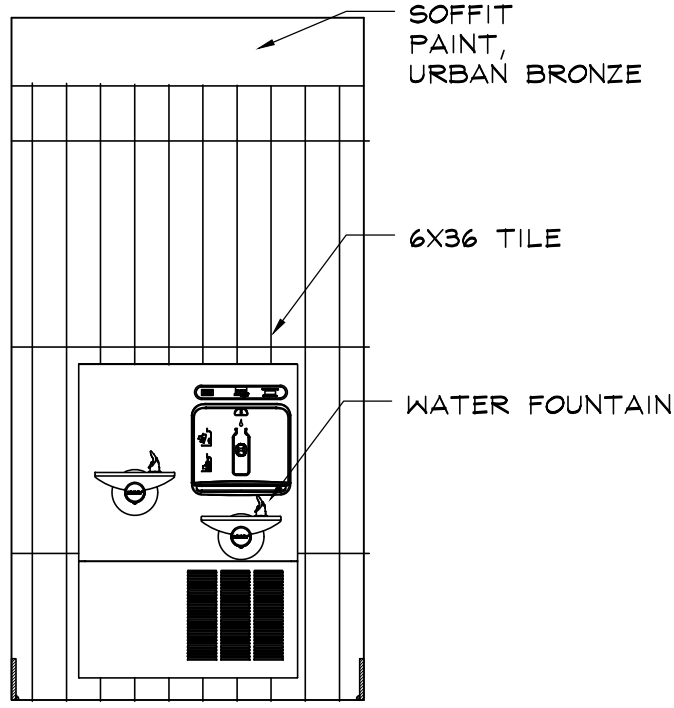
INTERIOR DESIGN * SPACE PLANNING * MARKETING
3025 CHASTAIN MEADOWS SUITE 200 MARIETTA, GEORGIA PHONE 770-429-2500 FAX 770-429-3201
* EMAIL EMAIL@DESIGNENVIRONMENTS.COM *

**CLUB AMENITIES @
CANYON TRAILS TOWNE CENTER
GOODYEAR, AZ
EMBREY PARTNERS
PRESENTATION DRAWINGS**

21366

CAD DESIGNER: TP
DESIGNER: JB
PRESENTATION DATE: 00/00/00

This Drawing is the property of
Design Environments Inc.
and may not be reproduced
or used without their
written permission



HALL

SCALE: NTS

21366

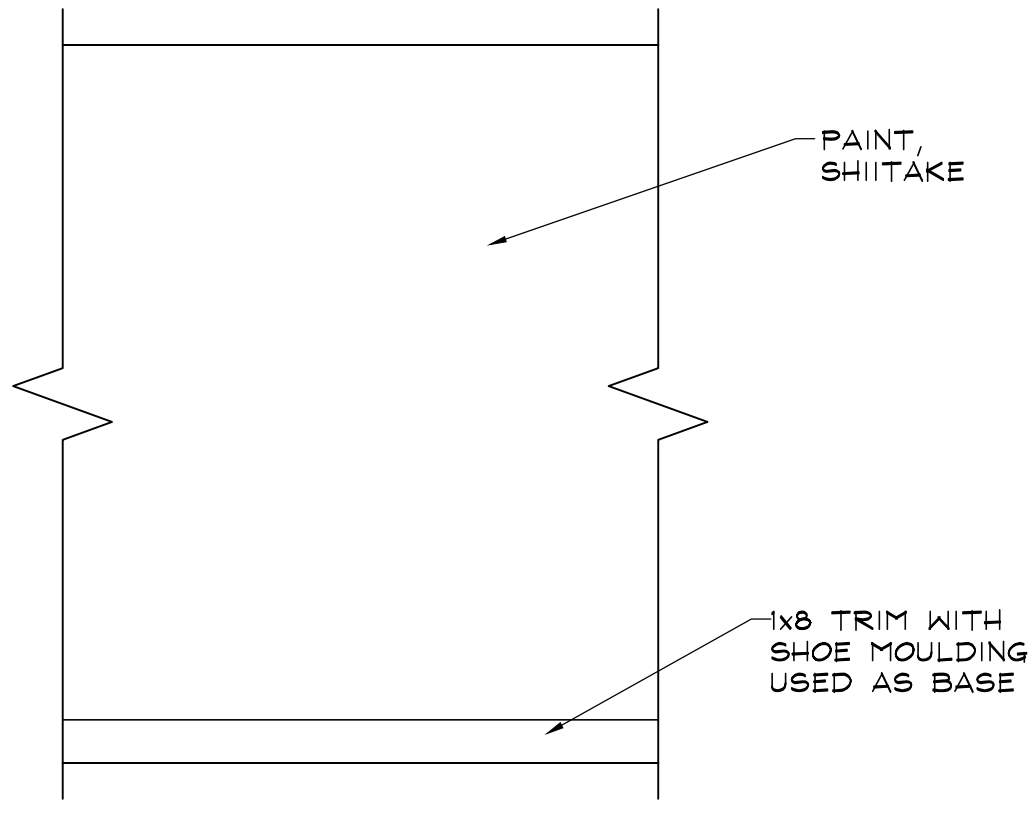
CAD DESIGNER: TP
DESIGNER: JB
PRESENTATION DATE: 00/00/00

This Drawing is the property of Design Environments Inc. and may not be reproduced or used without their written permission.

**CLUB AMENITIES @
CANYON TRAILS TOWNE CENTER
GOODYEAR, AZ
EMBREY PARTNERS
PRESENTATION DRAWINGS**

Design Environments

INTERIOR DESIGN * SPACE PLANNING * MARKETING
3025 CHASTAIN MEADOWS SUITE 200 MARIETTA, GEORGIA PHONE 770-429-2500 FAX 770-429-3201
* EMAIL EMAIL@DESIGNENVIRONMENTS.COM *



HALL TYP.

SCALE: NTS

21366

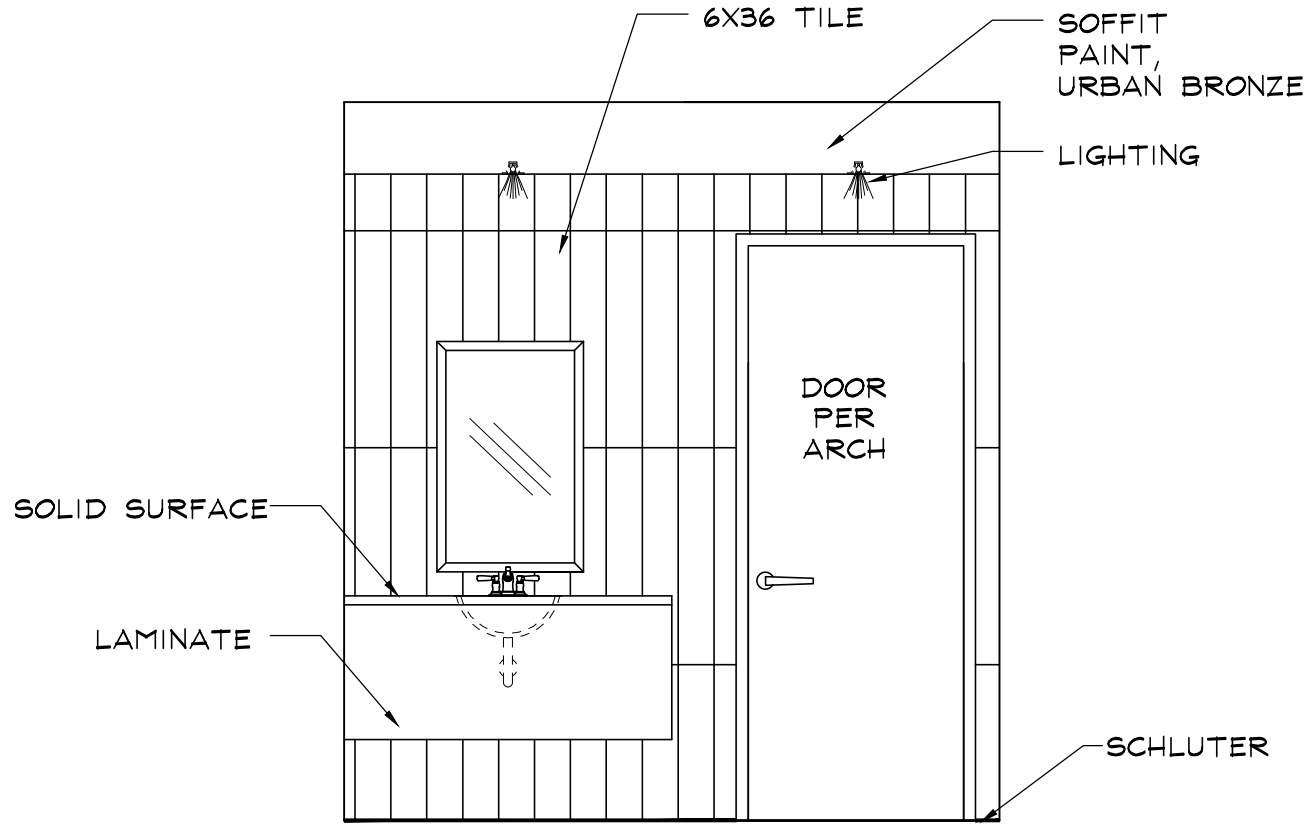
CAD DESIGNER: TP
 DESIGNER: JB
 PRESENTATION DATE: 00/00/00

This Drawing is the property of
 Design Environments Inc.
 and may not be reproduced
 or used without their
 written permission

CLUB AMENITIES @
 CANYON TRAILS TOWNE CENTER
 GOODYEAR, AZ
 EMBREY PARTNERS
 PRESENTATION DRAWINGS

Design Environments

INTERIOR DESIGN * SPACE PLANNING * MARKETING
 3025 CHASTAIN MEADOWS SUITE 200 MARIETTA, GEORGIA PHONE 770-429-2500 FAX 770-429-3201
 * EMAIL EMAIL@DESIGNENVIRONMENTS.COM *



WOMEN'S RR

SCALE: NTS

Design Environments

INTERIOR DESIGN * SPACE PLANNING * MARKETING
3025 CHASTAIN MEADOWS SUITE 200 MARIETTA, GEORGIA PHONE 770-429-2500 FAX 770-429-3201
* EMAIL EMAIL@DESIGNEENVIRONMENTS.COM *

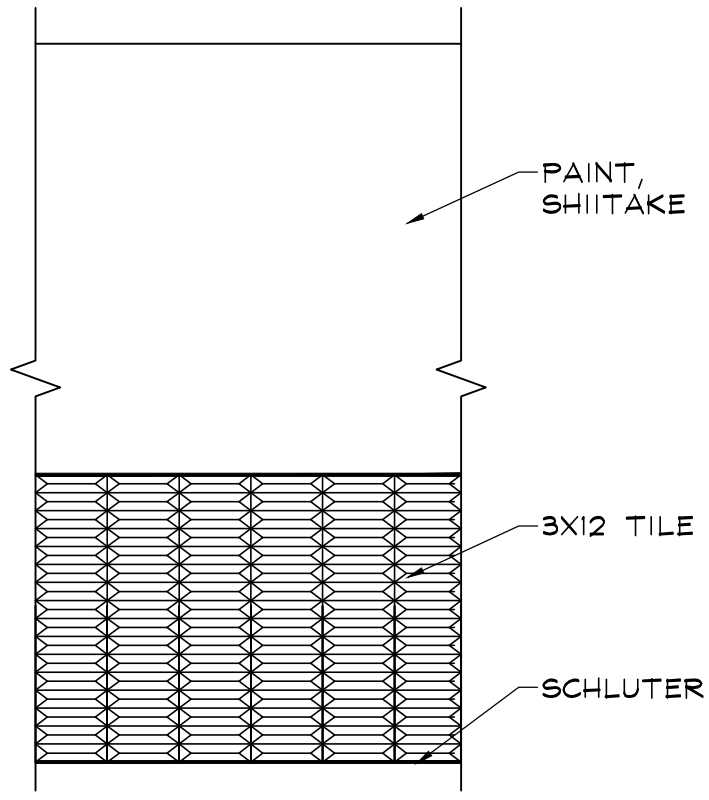
CLUB AMENITIES @
CANYON TRAILS TOWNE CENTER
GOODYEAR, AZ
EMBREY PARTNERS
PRESENTATION DRAWINGS

21366

This Drawing is the property of
Design Environments Inc.
and may not be reproduced
or used without their
written permission

CAD DESIGNER: TP
DESIGNER: JB
PRESENTATION DATE: 00/00/00

MEN'S RR & WOMEN'S RR TYP.
SCALE: NTS



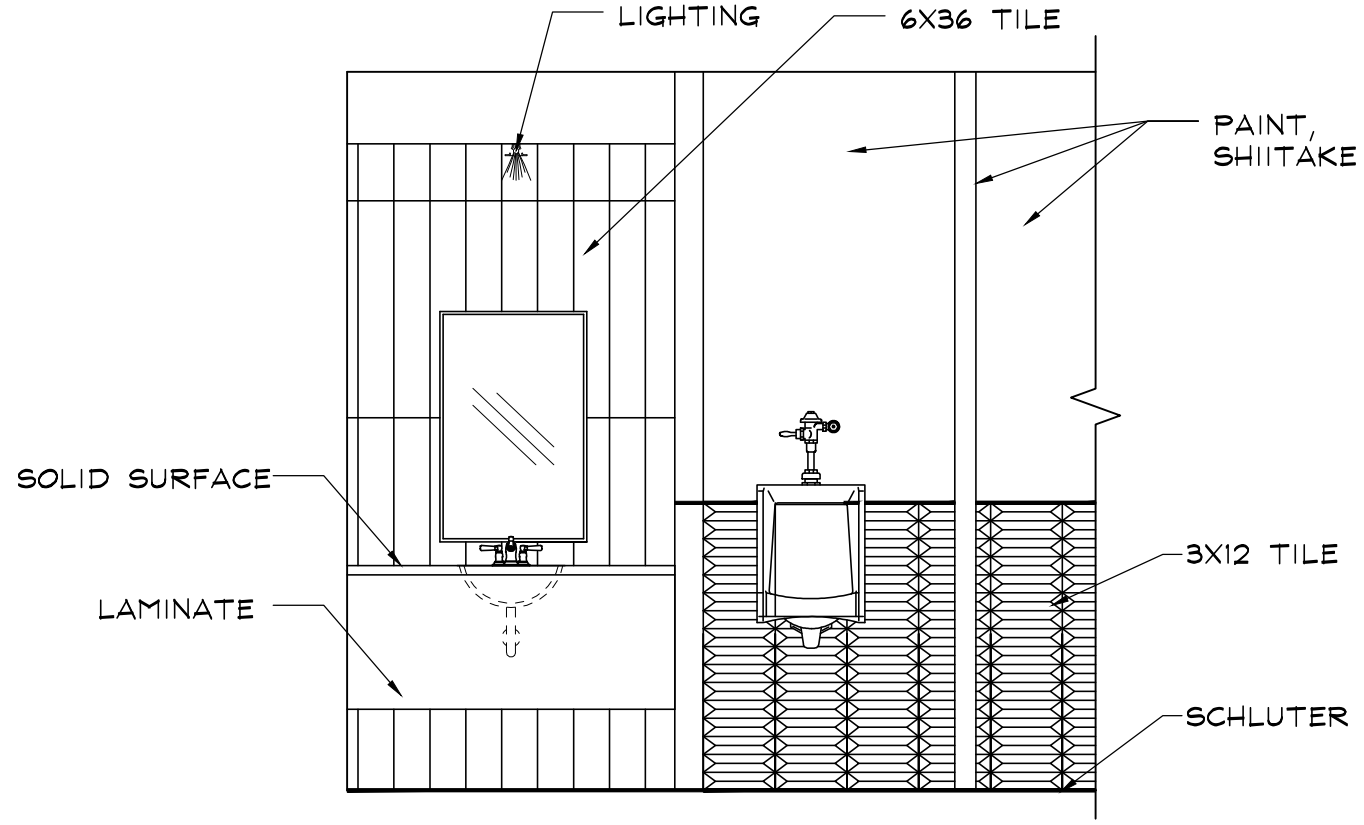
21366

CAD DESIGNER: TP
DESIGNER: JB
PRESENTATION DATE: 00/00/00

This Drawing is the property of Design Environments Inc. and may not be reproduced or used without their written permission.

CLUB AMENITIES @
CANYON TRAILS TOWNE CENTER
GOODYEAR, AZ
EMBREY PARTNERS
PRESENTATION DRAWINGS

Design Environments
INTERIOR DESIGN * SPACE PLANNING * MARKETING
3025 CHASTAIN MEADOWS SUITE 200 MARIETTA, GEORGIA PHONE 770-429-2200 FAX 770-429-3201
* EMAIL EMAIL@DESIGNENVIRONMENTS.COM *



MEN'S RR

SCALE: NTS

Design Environments

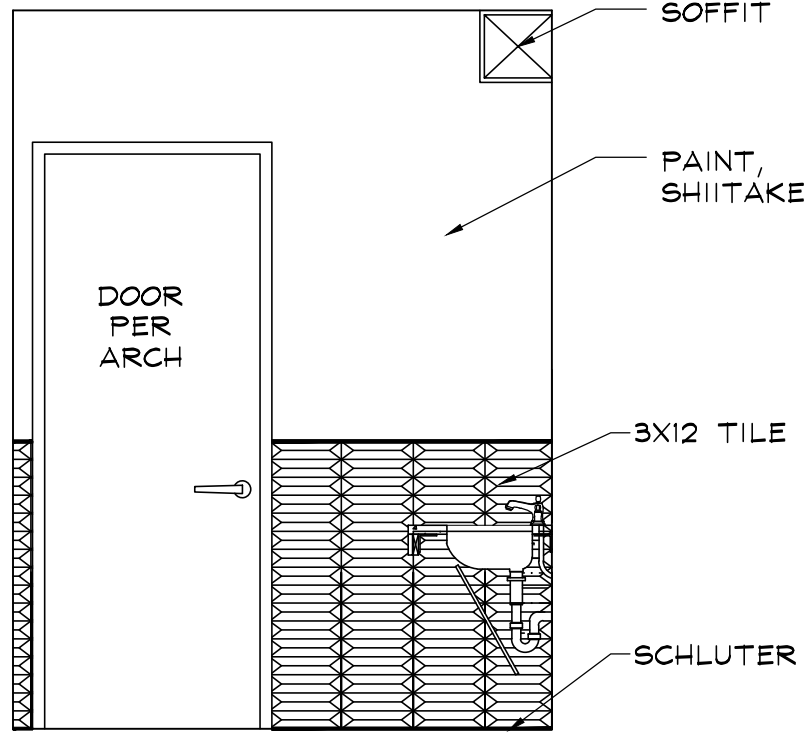
INTERIOR DESIGN * SPACE PLANNING * MARKETING
3025 CHASTAIN MEADOWS SUITE 200 MARIETTA, GEORGIA PHONE 770-429-2500 FAX 770-429-3201
* EMAIL EMAIL@DESIGNENVIRONMENTS.COM *

CLUB AMENITIES @
CANYON TRAILS TOWNE CENTER
GOODYEAR, AZ
EMBREY PARTNERS
PRESENTATION DRAWINGS

21366

This Drawing is the property of
Design Environments Inc.
and may not be reproduced
or used without their
written permission

CAD DESIGNER: TP
DESIGNER: JB
PRESENTATION DATE: 00/00/00



MEN'S RR

SCALE: NTS

21366

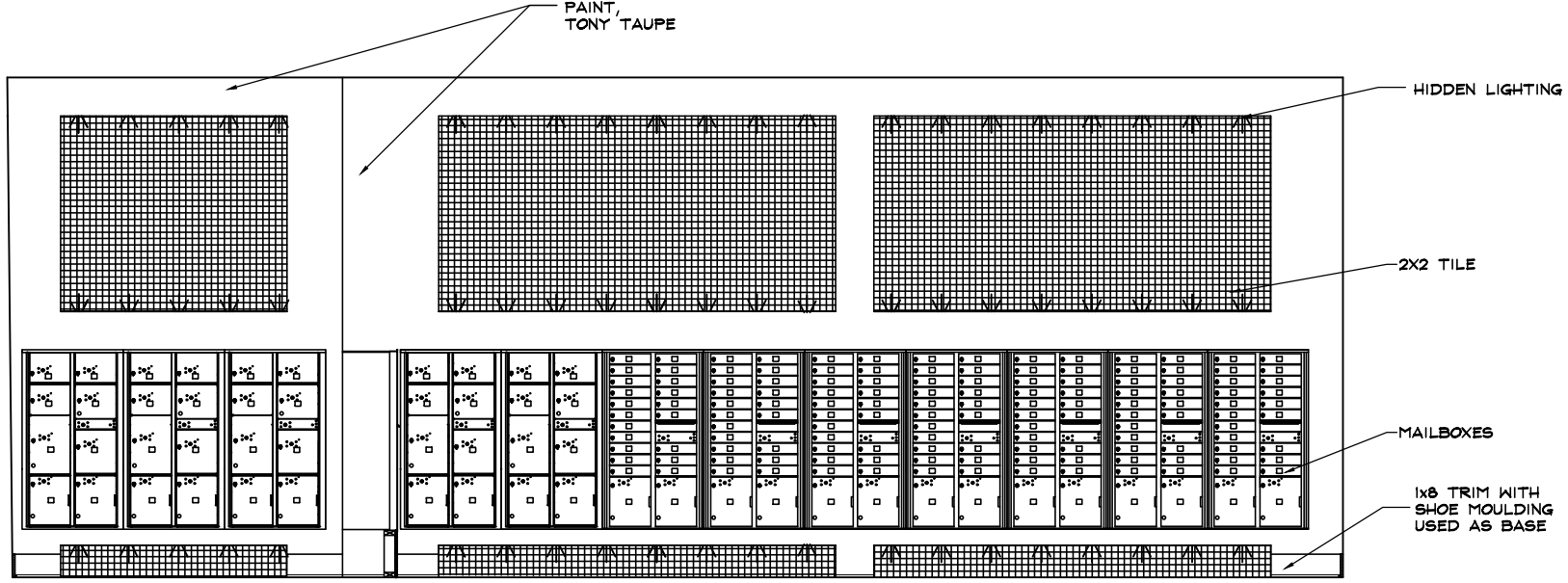
CAD DESIGNER: TP
 DESIGNER: JB
 PRESENTATION DATE: 00/00/00

This Drawing is the property of
 Design Environments Inc.
 and may not be reproduced
 or used without their
 written permission

CLUB AMENITIES @
 CANYON TRAILS TOWNE CENTER
 GOODYEAR, AZ
 EMBREY PARTNERS
 PRESENTATION DRAWINGS

Design Environments

INTERIOR DESIGN * SPACE PLANNING * MARKETING
 3025 CHASTAIN MEADOWS SUITE 200 MARIETTA, GEORGIA PHONE 770-429-2200 FAX 770-429-3201
 * EMAIL EMAIL@DESIGNENVIRONMENTS.COM *

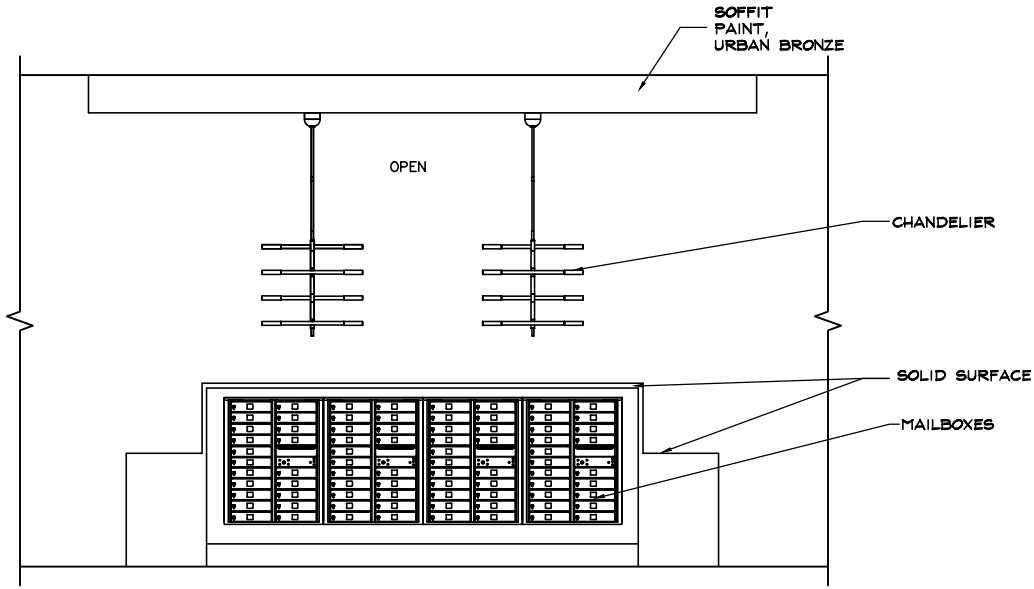


MAIL ROOM
SCALE: NTS

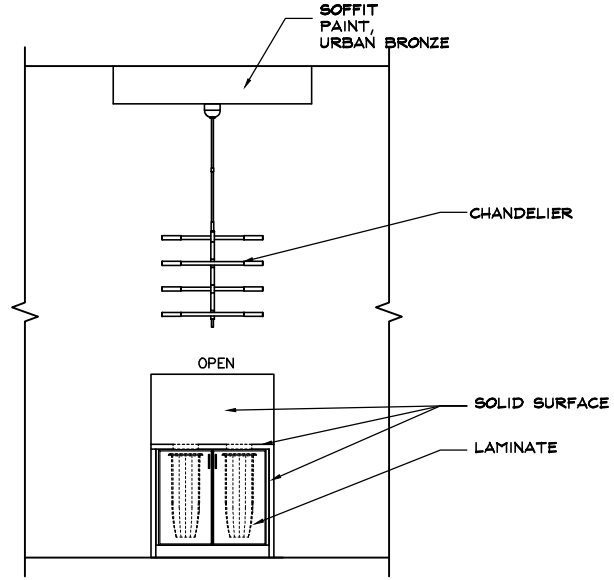
21366

CAD DESIGNER: TP
 DESIGNER: JB
 PRESENTATION DATE: 00/00/00

This Drawing is the property of
 Design Environments Inc.
 and may not be reproduced
 or used without their
 written permission



MAILROOM
SCALE: NTS



MAILROOM
SCALE: NTS

21366

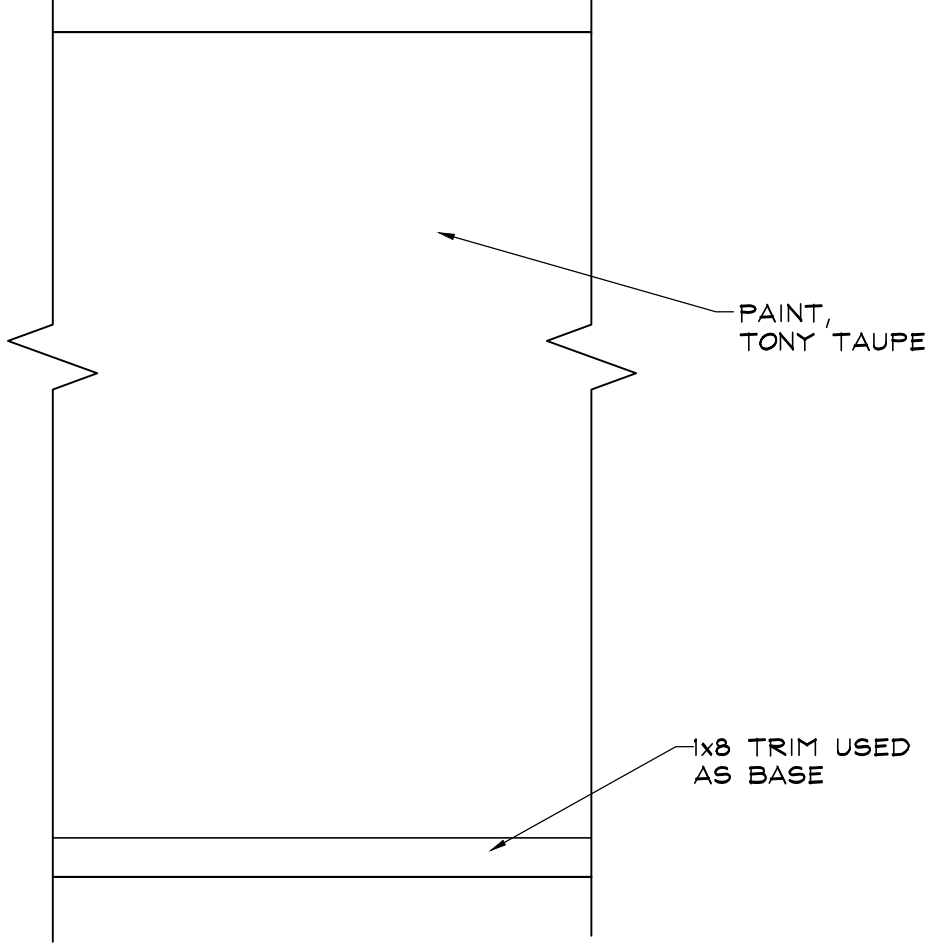
CAD DESIGNER: TP
DESIGNER: JB
PRESENTATION DATE: 00/00/00

This Drawing is the property of Design Environments Inc. and may not be reproduced or used without their written permission.

CLUB AMENITIES @
CANYON TRAILS TOWNE CENTER
GOODYEAR, AZ
EMBREY PARTNERS
PRESENTATION DRAWINGS

Design Environments

INTERIOR DESIGN * SPACE PLANNING * MARKETING
3025 CHASTAIN MEADOWS SUITE 200 MARIETTA, GEORGIA PHONE 770-429-2200 FAX 770-429-3201
* EMAIL: EMAIL@DESIGNENVIRONMENTS.COM *



MAILROOM TYP.

SCALE: NTS

21366

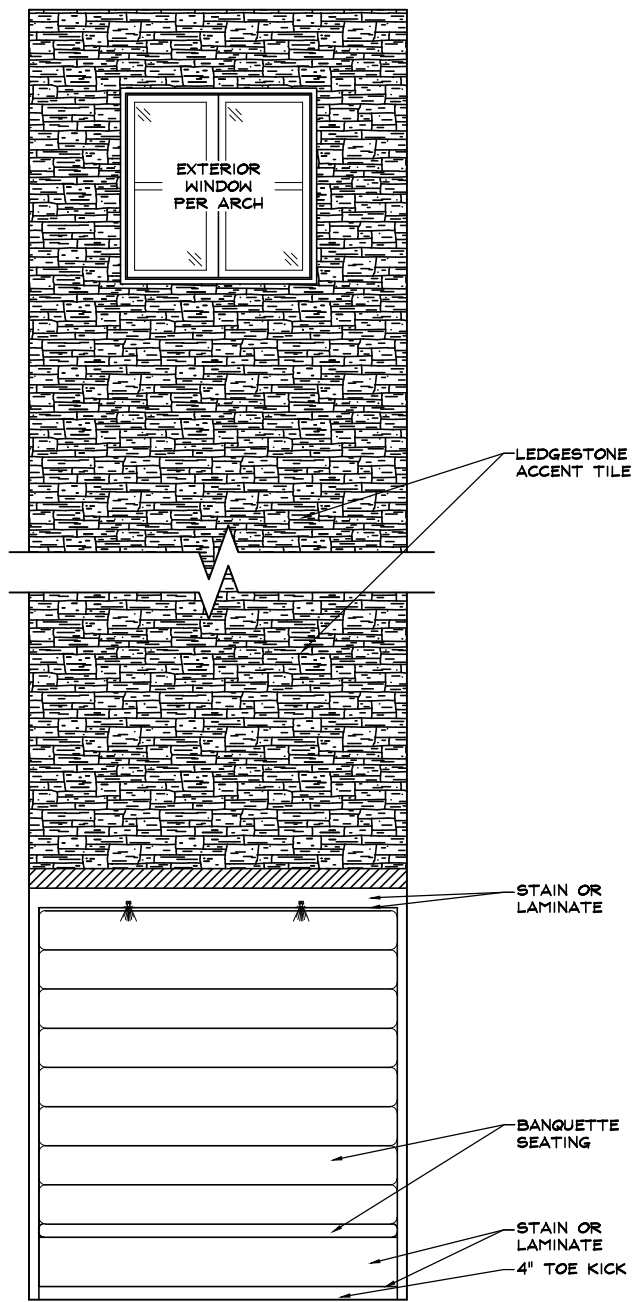
CAD DESIGNER: TP
DESIGNER: JB
PRESENTATION DATE: 00/00/00

This Drawing is the property of
Design Environments Inc.
and may not be reproduced
or used without their
written permission

**CLUB AMENITIES @
CANYON TRAILS TOWNE CENTER
GOODYEAR, AZ
EMBREY PARTNERS
PRESENTATION DRAWINGS**

Design Environments

INTERIOR DESIGN * SPACE PLANNING * MARKETING
3025 CHASTAIN MEADOWS SUITE 200 MARIETTA, GEORGIA PHONE 770-429-2200 FAX 770-429-3201
* EMAIL EMAIL@DESIGNENVIRONMENTS.COM *



BANQUETTE UNDER STAIRS

SCALE: NTS

21366

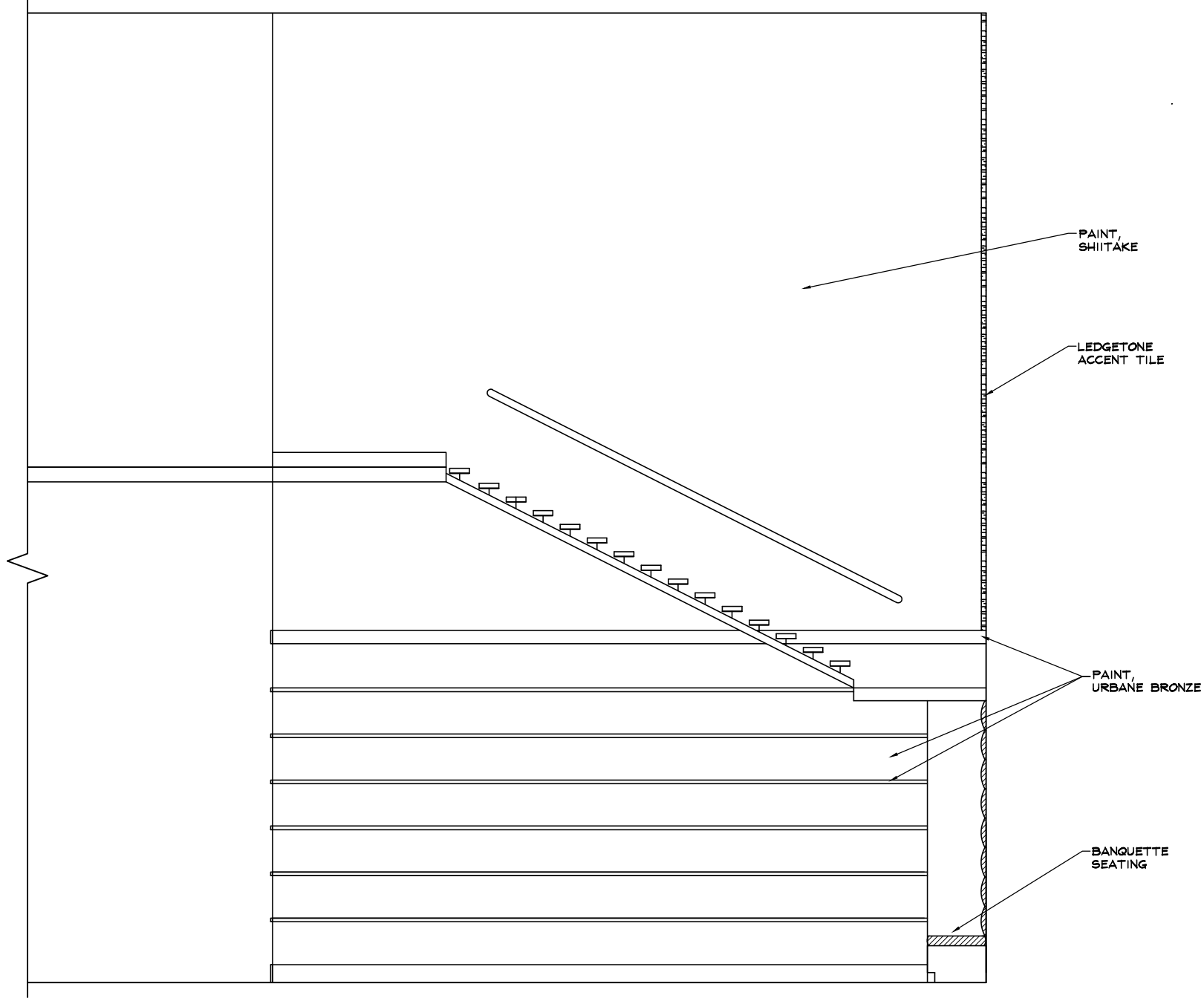
CAD DESIGNER: TP
DESIGNER: JB
PRESENTATION DATE: 00/00/00

This Drawing is the property of Design Environments Inc. and may not be reproduced or used without their written permission.

**CLUB AMENITIES @
CANYON TRAILS TOWNE CENTER
GOODYEAR, AZ
EMBREY PARTNERS
PRESENTATION DRAWINGS**

Design Environments

INTERIOR DESIGN * SPACE PLANNING * MARKETING
3025 CHASTAIN MEADOWS SUITE 200 MARIETTA, GEORGIA PHONE 770-4292500 FAX 770-4293201
* EMAIL EMAIL@DESIGNENVIRONMENTS.COM *



UNDER STAIRS

SCALE: NTS

21366

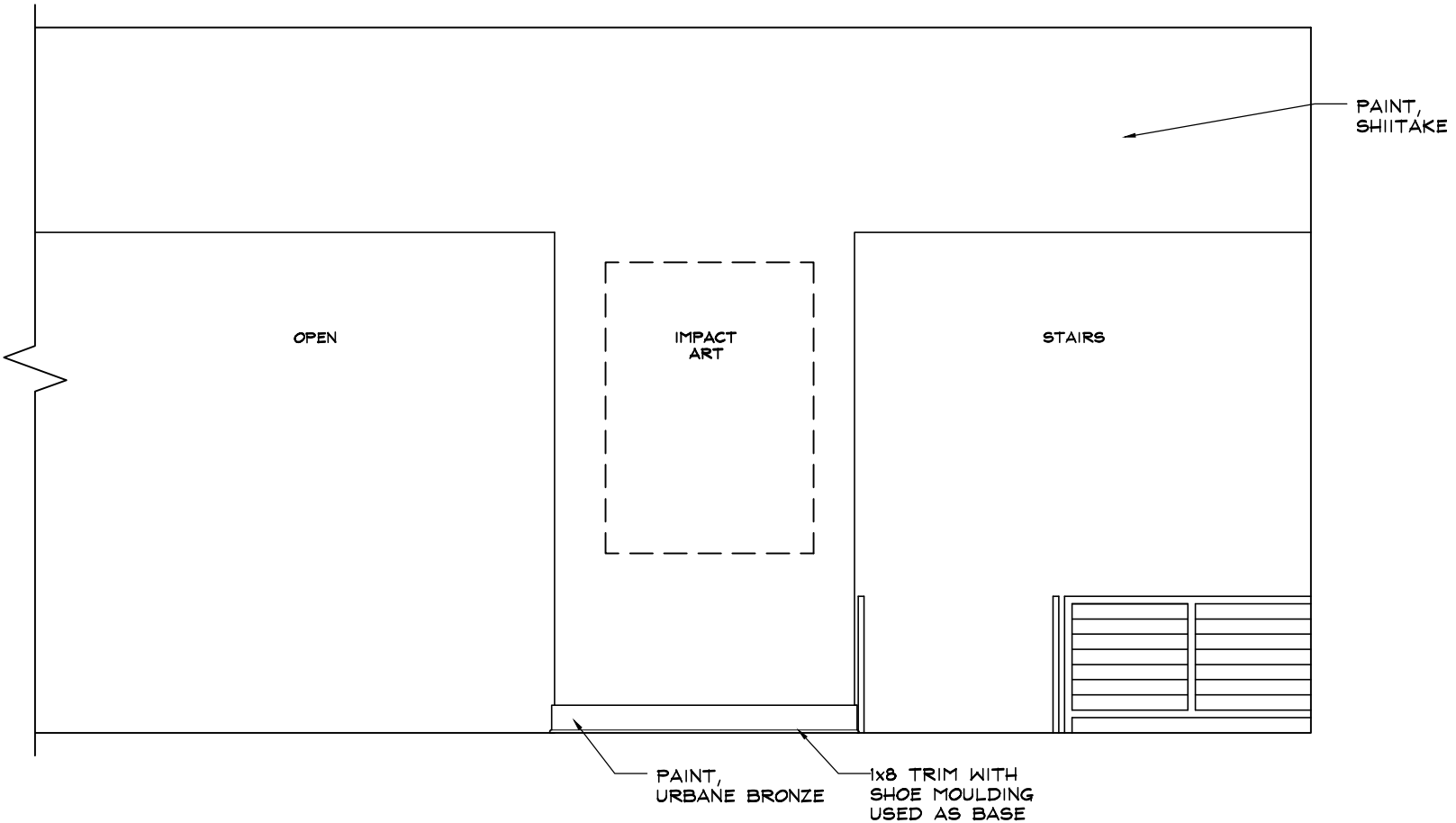
CAD DESIGNER: TP
 DESIGNER: JB
 PRESENTATION DATE: 00/00/00

This Drawing is the property of
 Design Environments Inc.
 and may not be reproduced
 or used without their
 written permission

**CLUB AMENITIES @
 CANYON TRAILS TOWNE CENTER
 GOODYEAR, AZ
 EMBREY PARTNERS
 PRESENTATION DRAWINGS**

Design Environments

INTERIOR DESIGN * SPACE PLANNING * MARKETING
 3025 CHASTAIN MEADOWS SUITE 200 MARIETTA, GEORGIA PHONE 770-429-2500 FAX 770-429-3201
 * EMAIL EMAIL@DESIGNEENVIRONMENTS.COM *



GREAT ROOM
SCALE: NTS

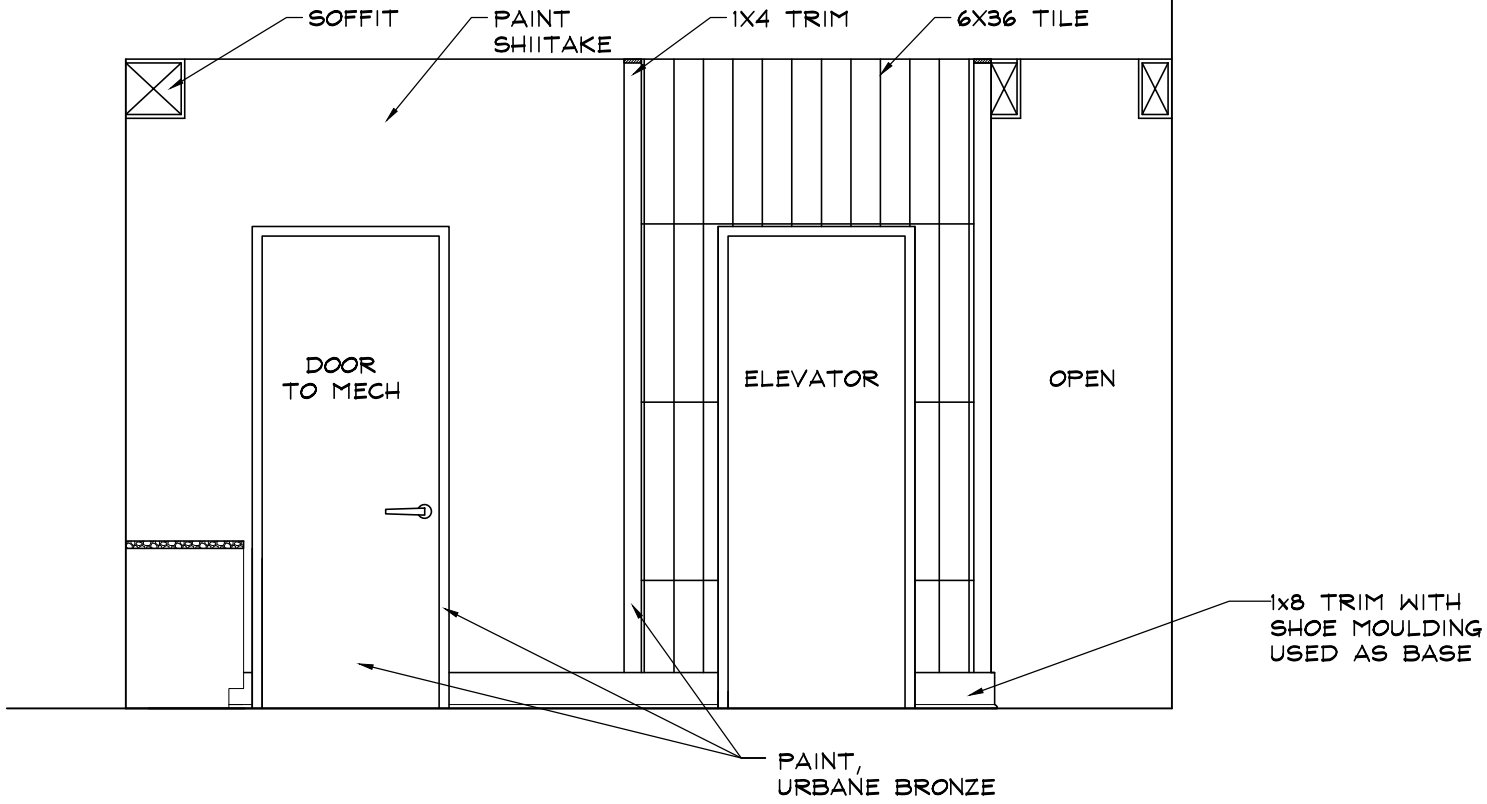
21366

CAD DESIGNER: TP
DESIGNER: JB
PRESENTATION DATE: 00/00/00

This Drawing is the property of Design Environments Inc. and may not be reproduced or used without their written permission.

CLUB AMENITIES @
CANYON TRAILS TOWNE CENTER
GOODYEAR, AZ
EMBREY PARTNERS
PRESENTATION DRAWINGS

Design Environments
INTERIOR DESIGN * SPACE PLANNING * MARKETING
3025 CHASTAIN MEADOWS SUITE 200 MARIETTA, GEORGIA PHONE 770-429-2500 FAX 770-429-3201
* EMAIL EMAIL@DESIGNEENVIRONMENTS.COM*



GREAT ROOM

SCALE: NTS

Design Environments

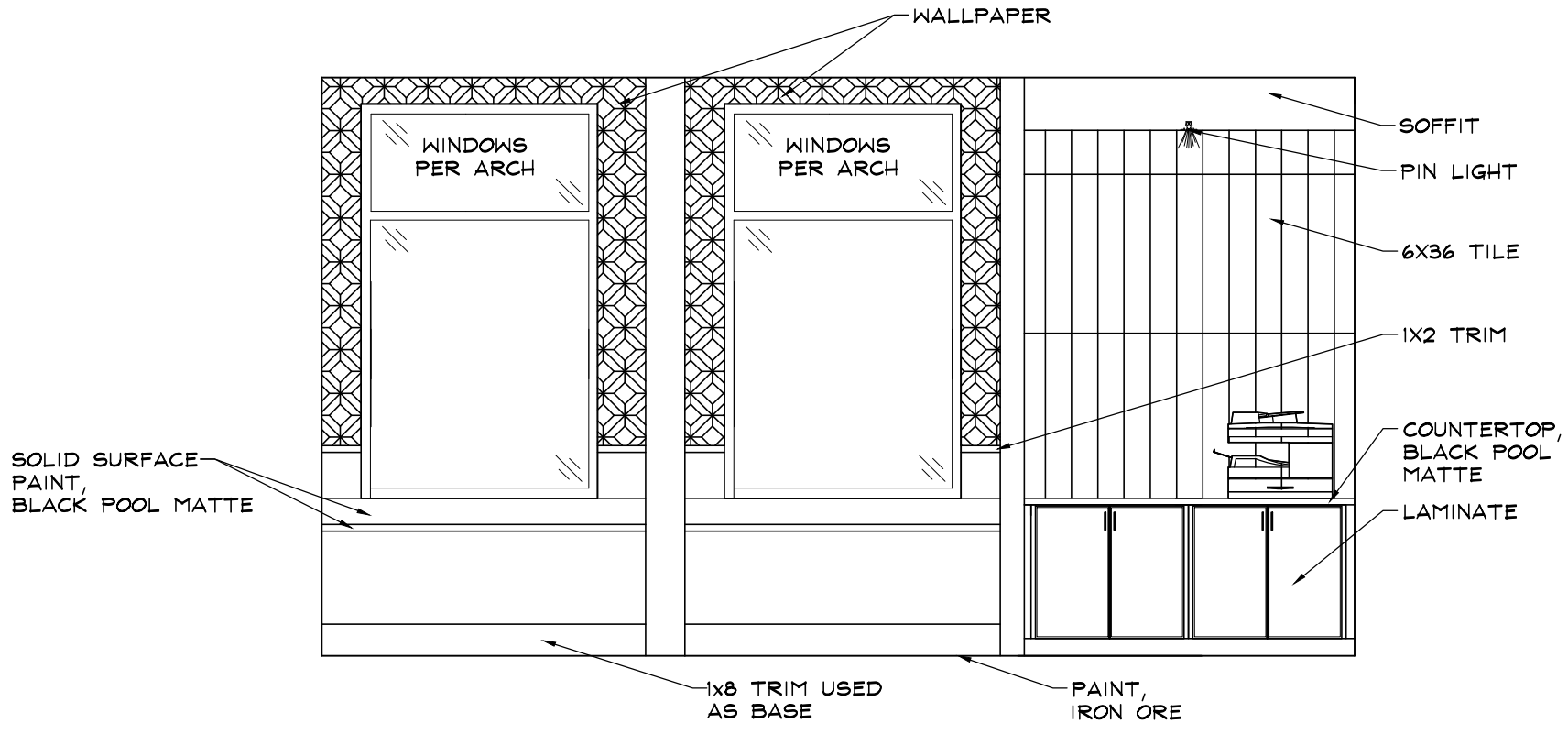
INTERIOR DESIGN * SPACE PLANNING * MARKETING
3025 CHASTAIN MEADOWS SUITE 200 MARIETTA, GEORGIA PHONE 770-429-2500 FAX 770-429-3201
* EMAIL EMAIL@DESIGNENVIRONMENTS.COM *

**CLUB AMENITIES @
CANYON TRAILS TOWNE CENTER
GOODYEAR, AZ
EMBREY PARTNERS
PRESENTATION DRAWINGS**

21366

This Drawing is the property of
Design Environments Inc.
and may not be reproduced
or used without their
written permission

CAD DESIGNER: TP
DESIGNER: JB
PRESENTATION DATE: 00/00/00



MICRO OFFICES

SCALE: NTS

Design Environments

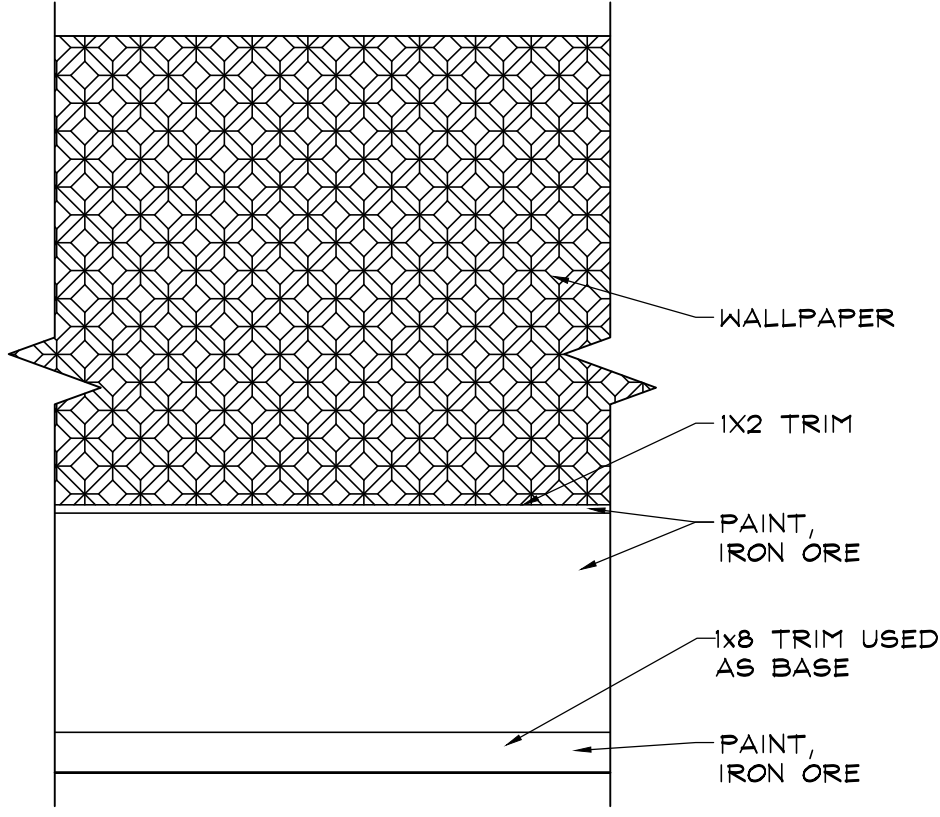
INTERIOR DESIGN * SPACE PLANNING * MARKETING
3025 CHASTAIN MEADOWS SUITE 200 MARIETTA, GEORGIA PHONE 770-429-2500 FAX 770-429-3201
* EMAIL: EMAIL@DESIGNENVIRONMENTS.COM *

CLUB AMENITIES @
CANYON TRAILS TOWNE CENTER
GOODYEAR, AZ
EMBREY PARTNERS
PRESENTATION DRAWINGS

21366

CAD DESIGNER: TP
DESIGNER: JB
PRESENTATION DATE: 00/00/00

This Drawing is the property of
Design Environments Inc.
and may not be reproduced
or used without their
written permission



MICRO OFFICES

SCALE: NTS

Design Environments

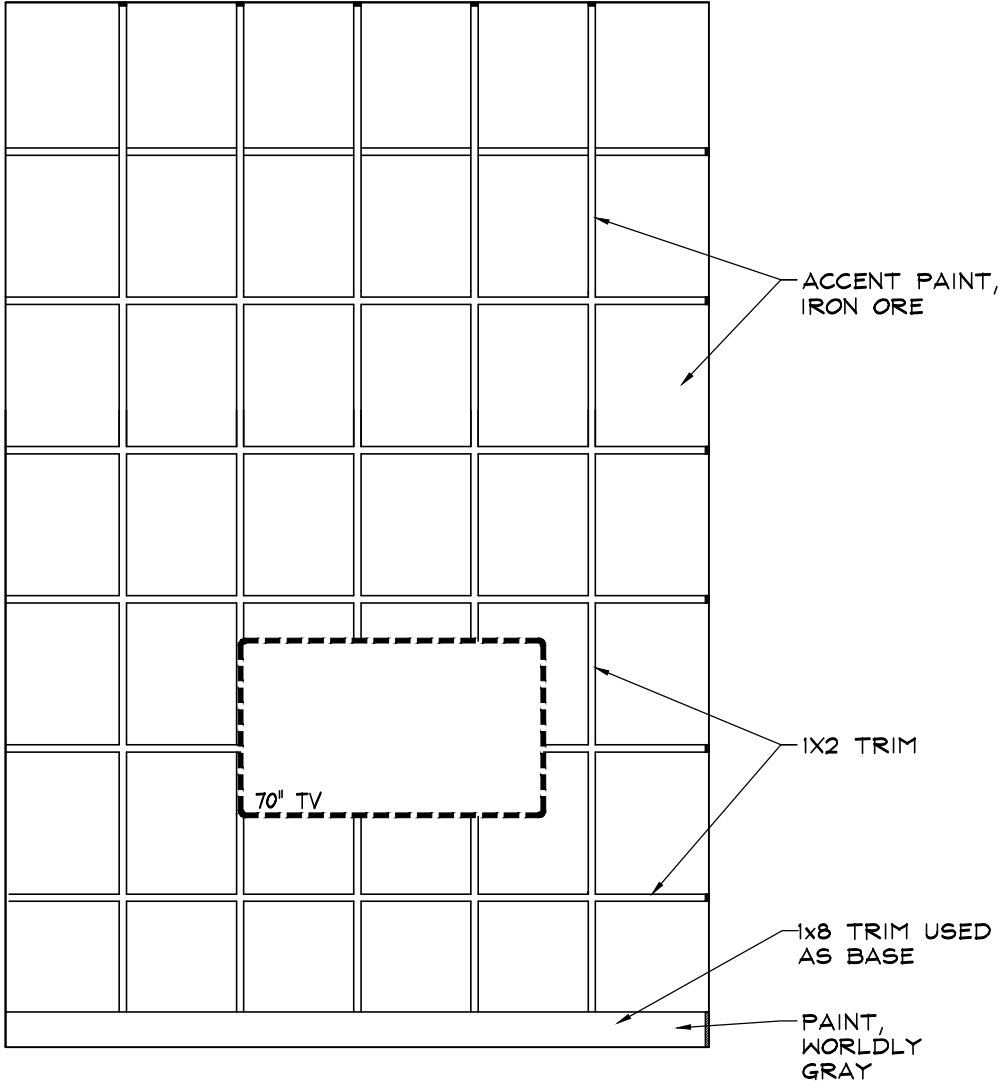
INTERIOR DESIGN * SPACE PLANNING * MARKETING
3025 CHASTAIN MEADOWS SUITE 200 MARIETTA, GEORGIA PHONE 770-429-2200 FAX 770-429-3201
* EMAIL EMAIL@DESIGNENVIRONMENTS.COM *

**CLUB AMENITIES @
CANYON TRAILS TOWNE CENTER
GOODYEAR, AZ
EMBREY PARTNERS
PRESENTATION DRAWINGS**

21366

CAD DESIGNER: TP
DESIGNER: JB
PRESENTATION DATE: 00/00/00

This Drawing is the property of
Design Environments Inc.
and may not be reproduced
or used without their
written permission



CONFERENCE

SCALE: NTS

21366

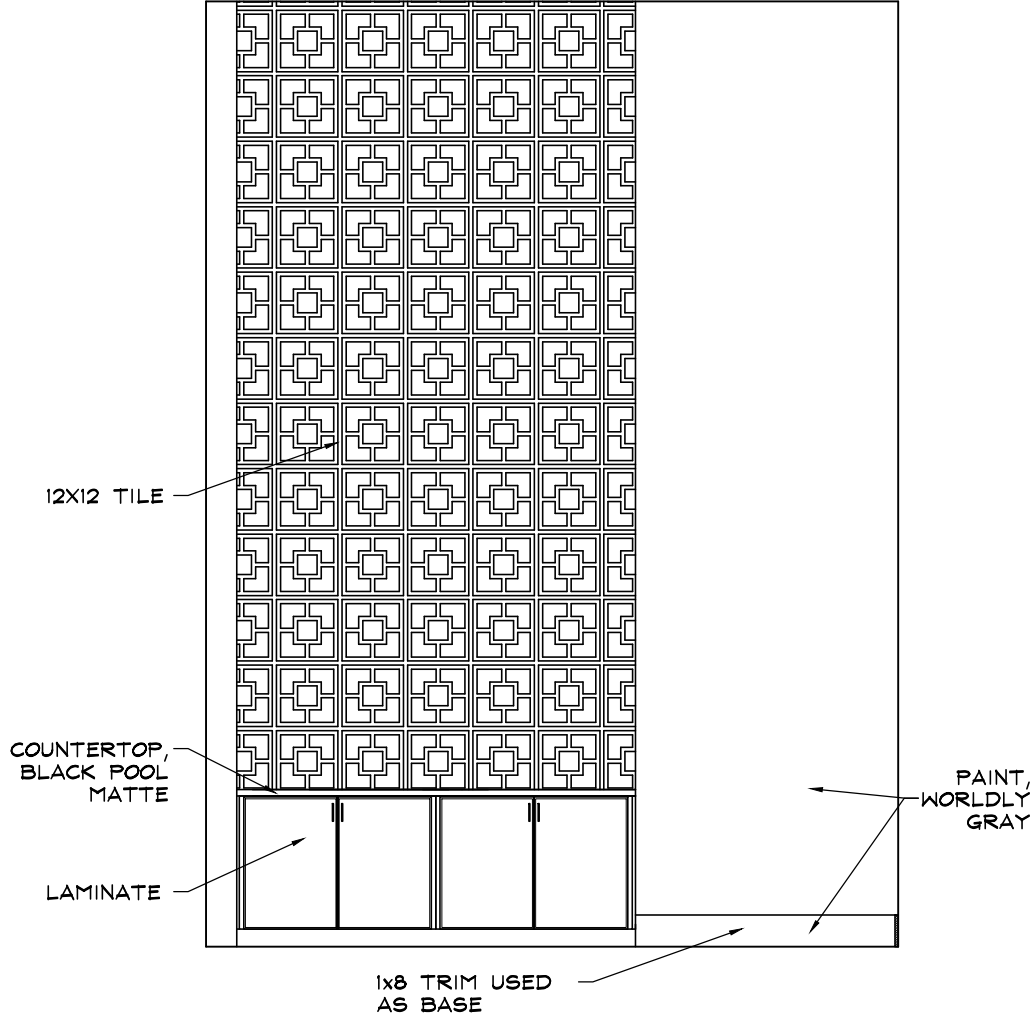
CAD DESIGNER: TP
DESIGNER: JB
PRESENTATION DATE: 00/00/00

This Drawing is the property of
Design Environments Inc.
and may not be reproduced
or used without their
written permission

**CLUB AMENITIES @
CANYON TRAILS TOWNE CENTER
GOODYEAR, AZ
EMBREY PARTNERS
PRESENTATION DRAWINGS**

Design Environments

INTERIOR DESIGN * SPACE PLANNING * MARKETING
3025 CHASTAIN MEADOWS SUITE 200 MARIETTA, GEORGIA PHONE 770-429-2500 FAX 770-429-3201
* EMAIL EMAIL@DESIGNENVIRONMENTS.COM *



CONFERENCE

SCALE: NTS

Design Environments

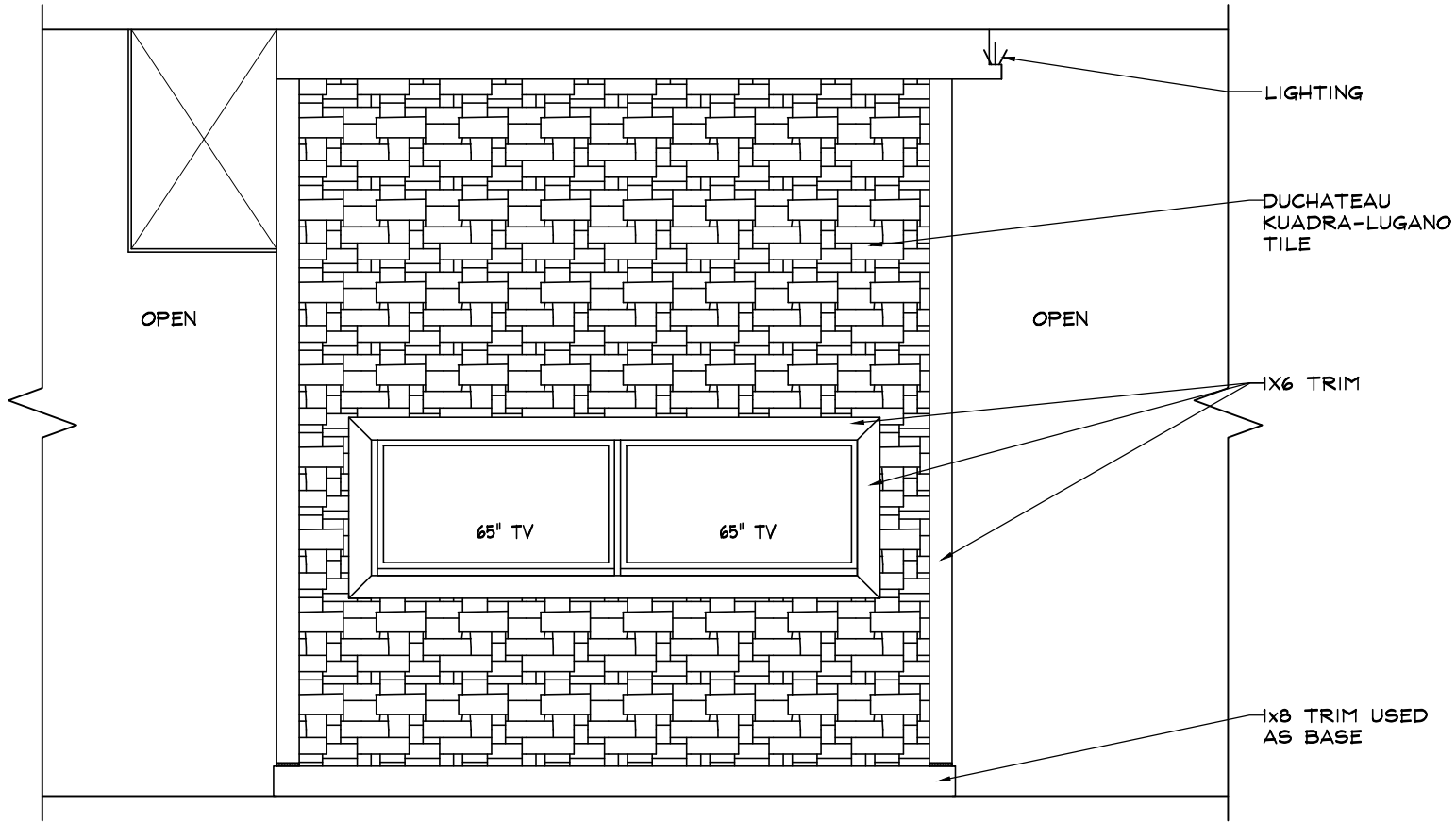
INTERIOR DESIGN * SPACE PLANNING * MARKETING
3025 CHASTAIN MEADOWS SUITE 200 MARIETTA, GEORGIA PHONE 770-429-2200 FAX 770-429-3201
* EMAIL EMAIL@DESIGNEENVIRONMENTS.COM *

**CLUB AMENITIES @
CANYON TRAILS TOWNE CENTER
GOODYEAR, AZ
EMBREY PARTNERS
PRESENTATION DRAWINGS**

21366

CAD DESIGNER: TP
DESIGNER: JB
PRESENTATION DATE: 00/00/00

This Drawing is the property of
Design Environments Inc.
and may not be reproduced
or used without their
written permission



GAME ROOM

SCALE: NTS

21366

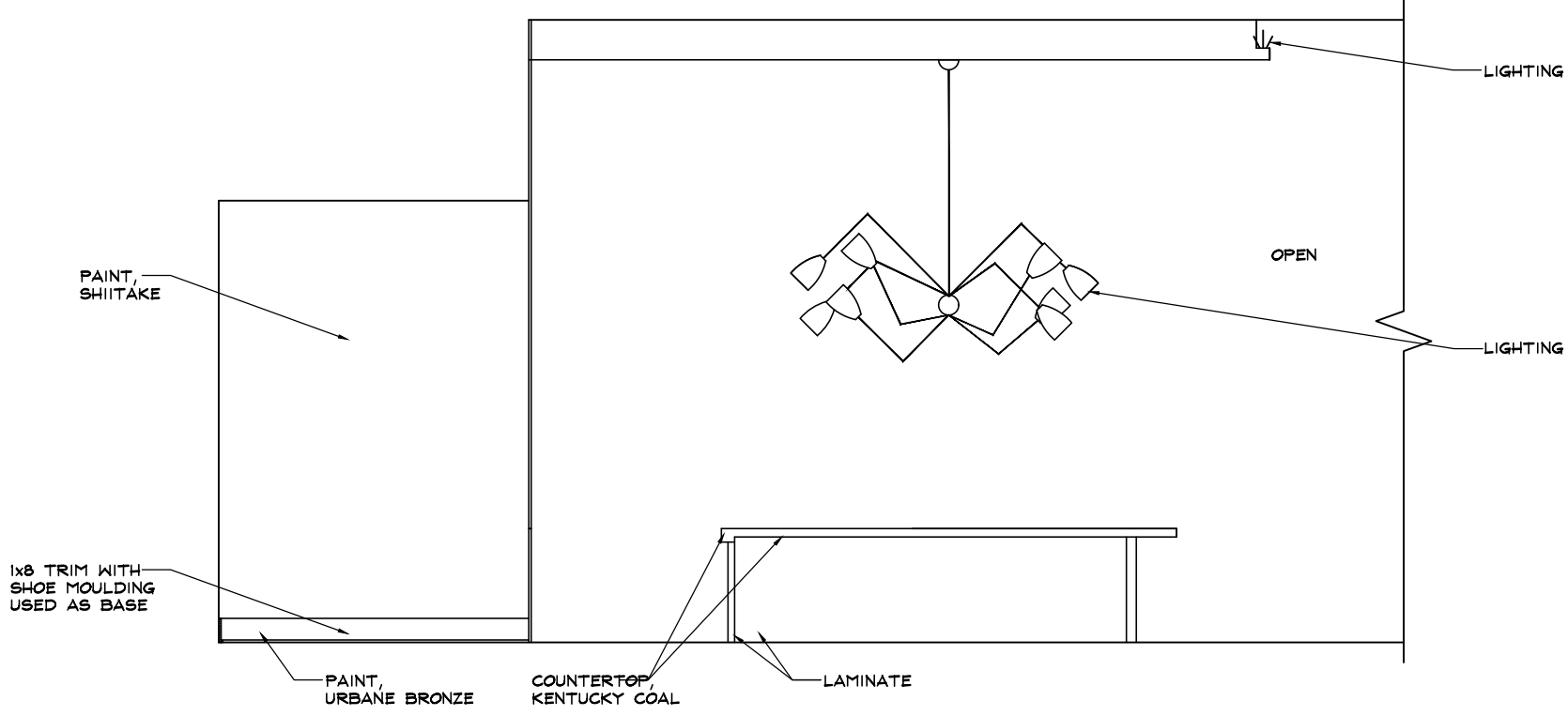
CAD DESIGNER: TP
DESIGNER: JB
PRESENTATION DATE: 00/00/00

This Drawing is the property of Design Environments Inc. and may not be reproduced or used without their written permission.

**CLUB AMENITIES @
CANYON TRAILS TOWNE CENTER
GOODYEAR, AZ
EMBREY PARTNERS
PRESENTATION DRAWINGS**

Design Environments

INTERIOR DESIGN * SPACE PLANNING * MARKETING
3025 CHASTAIN MEADOWS SUITE 200 MARIETTA, GEORGIA PHONE 770-429-2500 FAX 770-429-3201
* EMAIL: EMAIL@DESIGNEENVIRONMENTS.COM *



GAME ROOM

SCALE: NTS

Design Environments

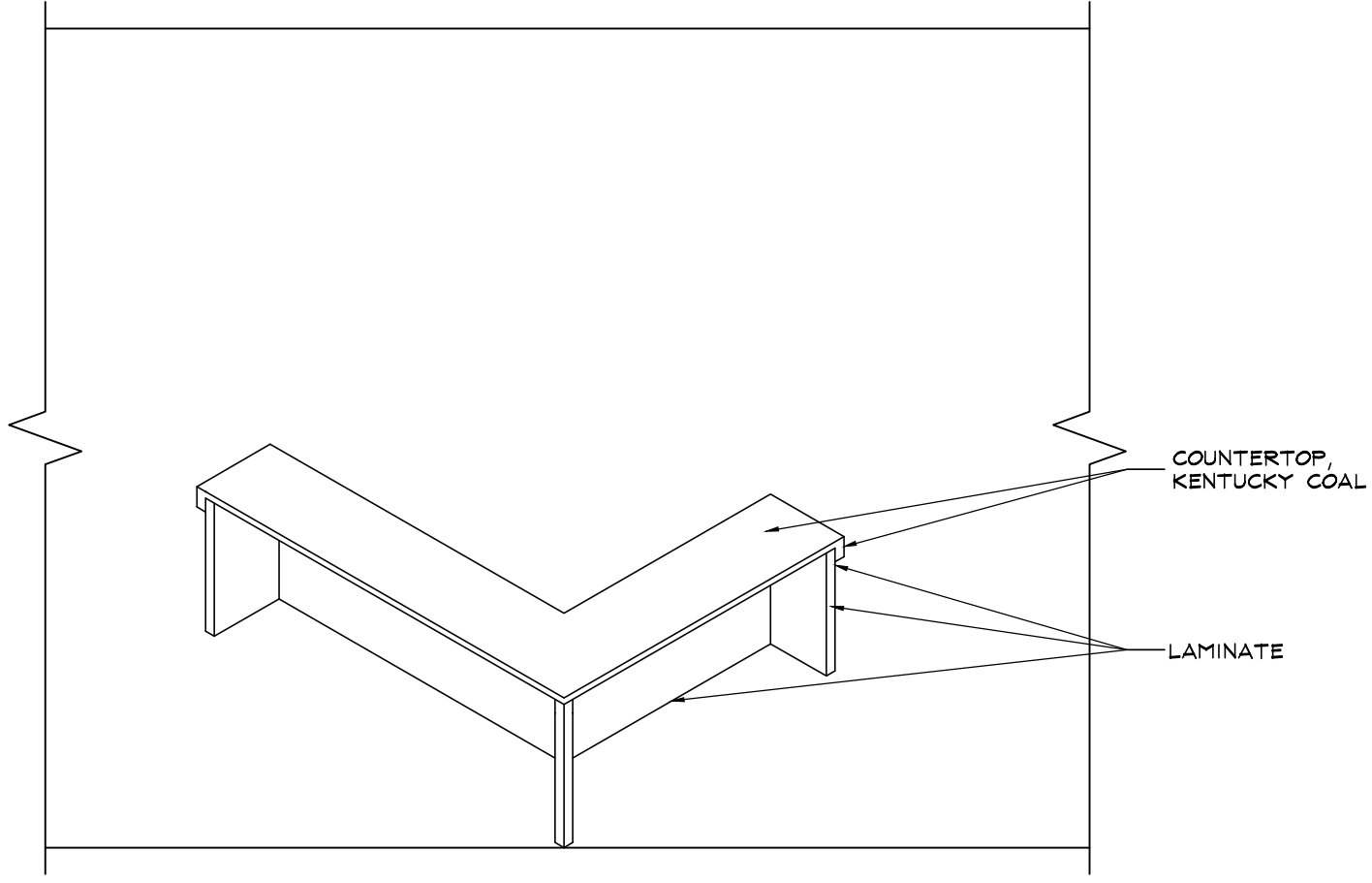
INTERIOR DESIGN * SPACE PLANNING * MARKETING
3025 CHASTAIN MEADOWS SUITE 200 MARIETTA, GEORGIA PHONE 770-429-2500 FAX 770-429-3201
* EMAIL EMAIL@DESIGNEENVIRONMENTS.COM *

**CLUB AMENITIES @
CANYON TRAILS TOWNE CENTER
GOODYEAR, AZ
EMBREY PARTNERS
PRESENTATION DRAWINGS**

21366

CAD DESIGNER: TP
DESIGNER: JB
PRESENTATION DATE: 00/00/00

This Drawing is the property of
Design Environments Inc.
and may not be reproduced
or used without their
written permission



GAME ROOM

SCALE: NTS

Design Environments

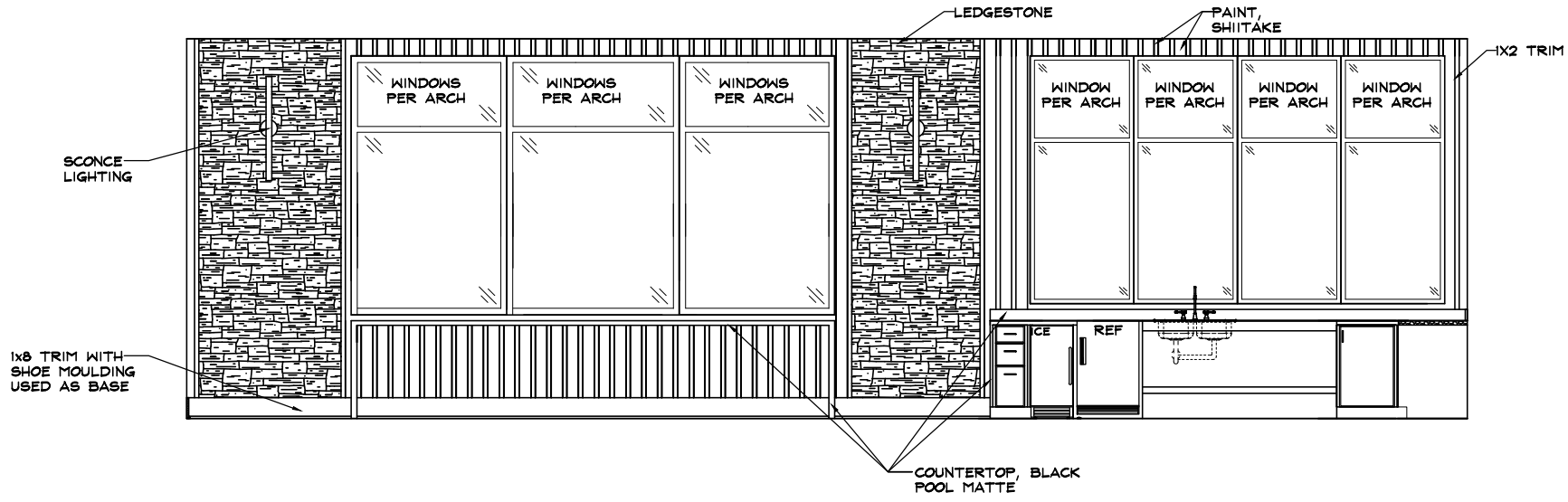
INTERIOR DESIGN * SPACE PLANNING * MARKETING
3025 CHASTAIN MEADOWS SUITE 200 MARIETTA, GEORGIA PHONE 770-429-2500 FAX 770-429-3201
* EMAIL EMAIL@DESIGNENVIRONMENTS.COM *

**CLUB AMENITIES @
CANYON TRAILS TOWNE CENTER
GOODYEAR, AZ
EMBREY PARTNERS
PRESENTATION DRAWINGS**

21366

CAD DESIGNER: TP
DESIGNER: JB
PRESENTATION DATE: 00/00/00

This Drawing is the property of
Design Environments Inc.
and may not be reproduced
or used without their
written permission



GAME ROOM
SCALE: NTS

21366

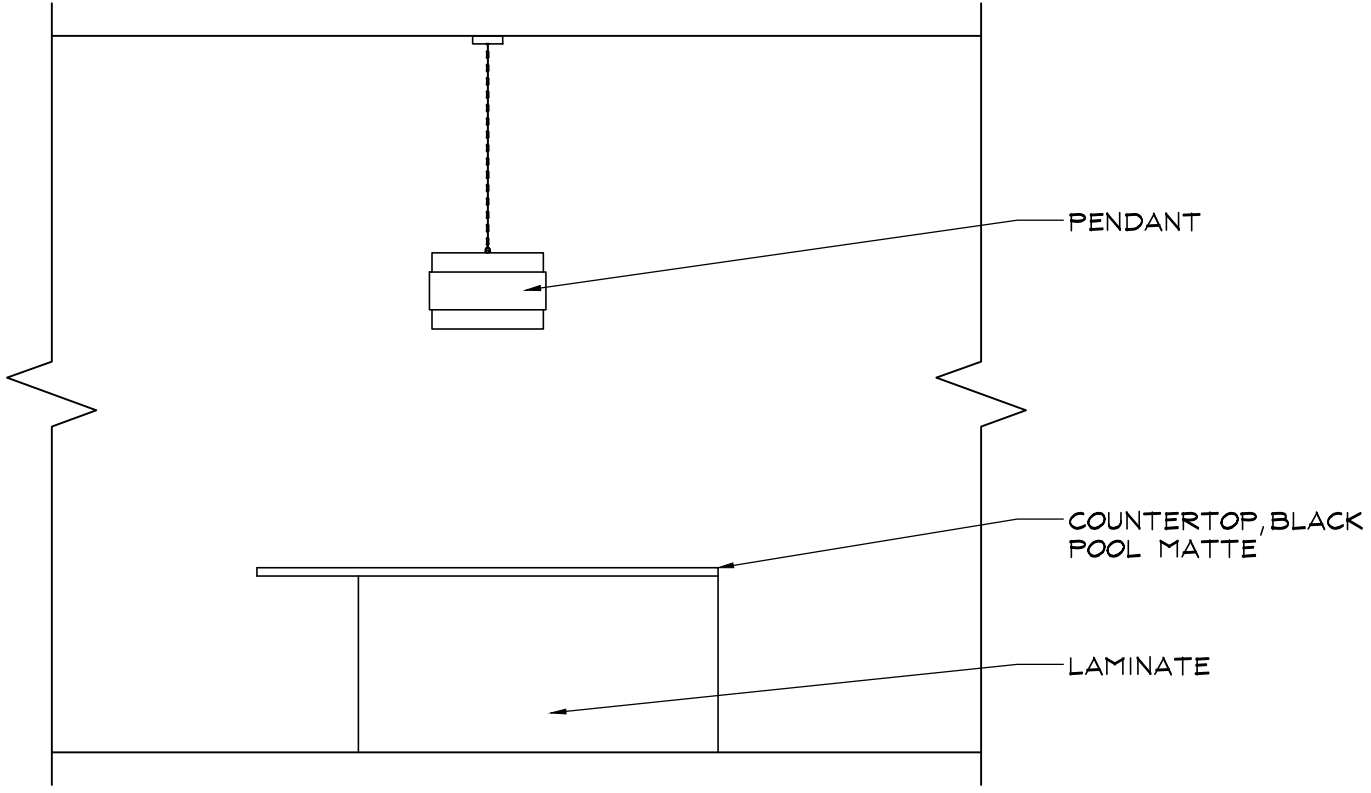
CAD DESIGNER: TP
 DESIGNER: JB
 PRESENTATION DATE: 00/00/00

This Drawing is the property of Design Environments Inc. and may not be reproduced or used without their written permission.

CLUB AMENITIES @
CANYON TRAILS TOWNE CENTER
GOODYEAR, AZ
EMBREY PARTNERS
PRESENTATION DRAWINGS

Design Environments

INTERIOR DESIGN * SPACE PLANNING * MARKETING
 3025 CHASTAIN MEADOWS SUITE 200 MARIETTA, GEORGIA PHONE 770-429-2500 FAX 770-429-3201
 * EMAIL EMAIL@DESIGNENVIRONMENTS.COM *



GAME ROOM

SCALE: NTS

Design Environments

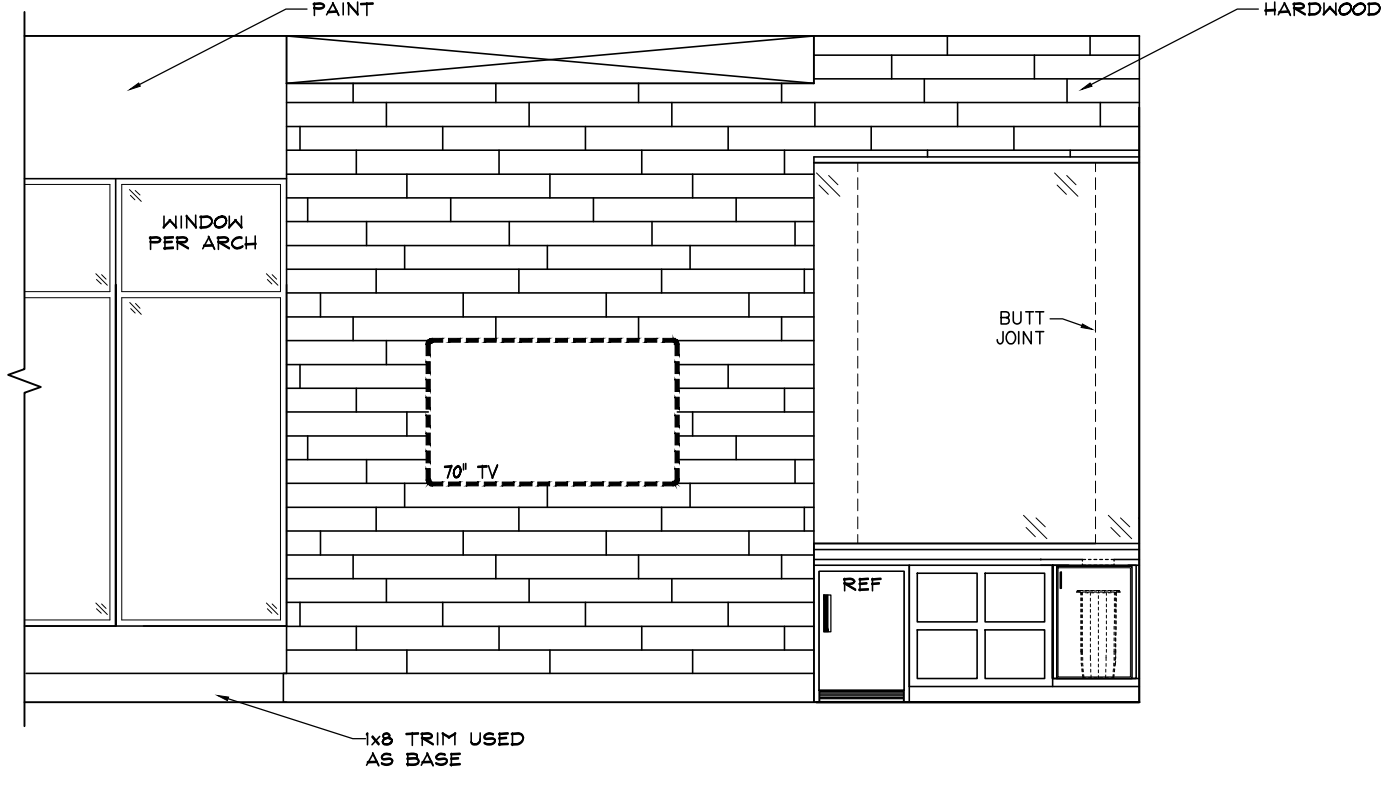
INTERIOR DESIGN * SPACE PLANNING * MARKETING
3025 CHASTAIN MEADOWS SUITE 200 MARIETTA, GEORGIA PHONE 770-429-2200 FAX 770-429-3201
* EMAIL EMAIL@DESIGNEENVIRONMENTS.COM *

CLUB AMENITIES @
CANYON TRAILS TOWNE CENTER
GOODYEAR, AZ
EMBREY PARTNERS
PRESENTATION DRAWINGS

21366

CAD DESIGNER: TP
DESIGNER: JB
PRESENTATION DATE: 00/00/00

This Drawing is the property of Design Environments Inc. and may not be reproduced or used without their written permission.



PAINT

HARDWOOD

WINDOW
PER ARCH

70" TV

BUTT
JOINT

1x8 TRIM USED
AS BASE

REF

FITNESS

SCALE: NTS

Design Environments

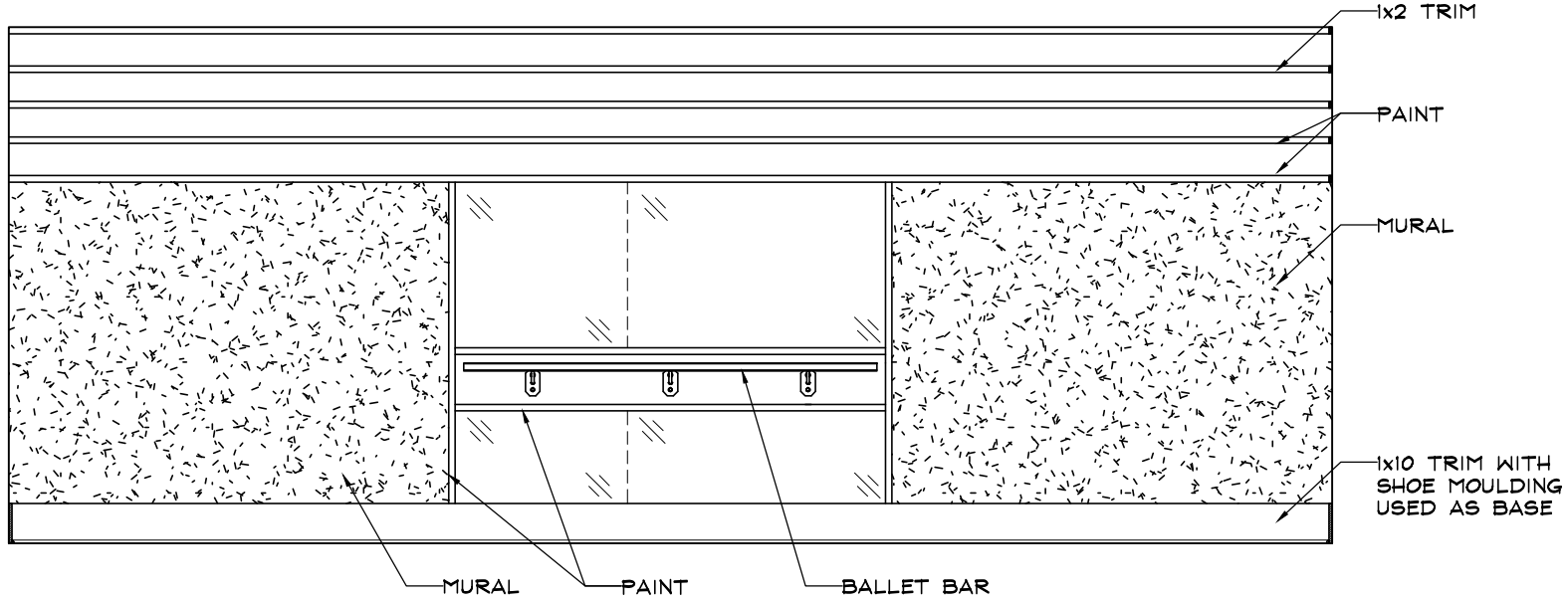
INTERIOR DESIGN * SPACE PLANNING * MARKETING
3025 CHASTAIN MEADOWS SUITE 200 MARIETTA, GEORGIA PHONE 770-429-2500 FAX 770-429-3201
* EMAIL EMAIL@DESIGNEENVIRONMENTS.COM *

**CLUB AMENITIES @
CANYON TRAILS TOWNE CENTER
GOODYEAR, AZ
EMBREY PARTNERS
PRESENTATION DRAWINGS**

21366

CAD DESIGNER: TP
DESIGNER: JB
PRESENTATION DATE: 00/00/00

This Drawing is the property of
Design Environments Inc.
and may not be reproduced
or used without their
written permission



YOGA

SCALE: NTS

Design Environments

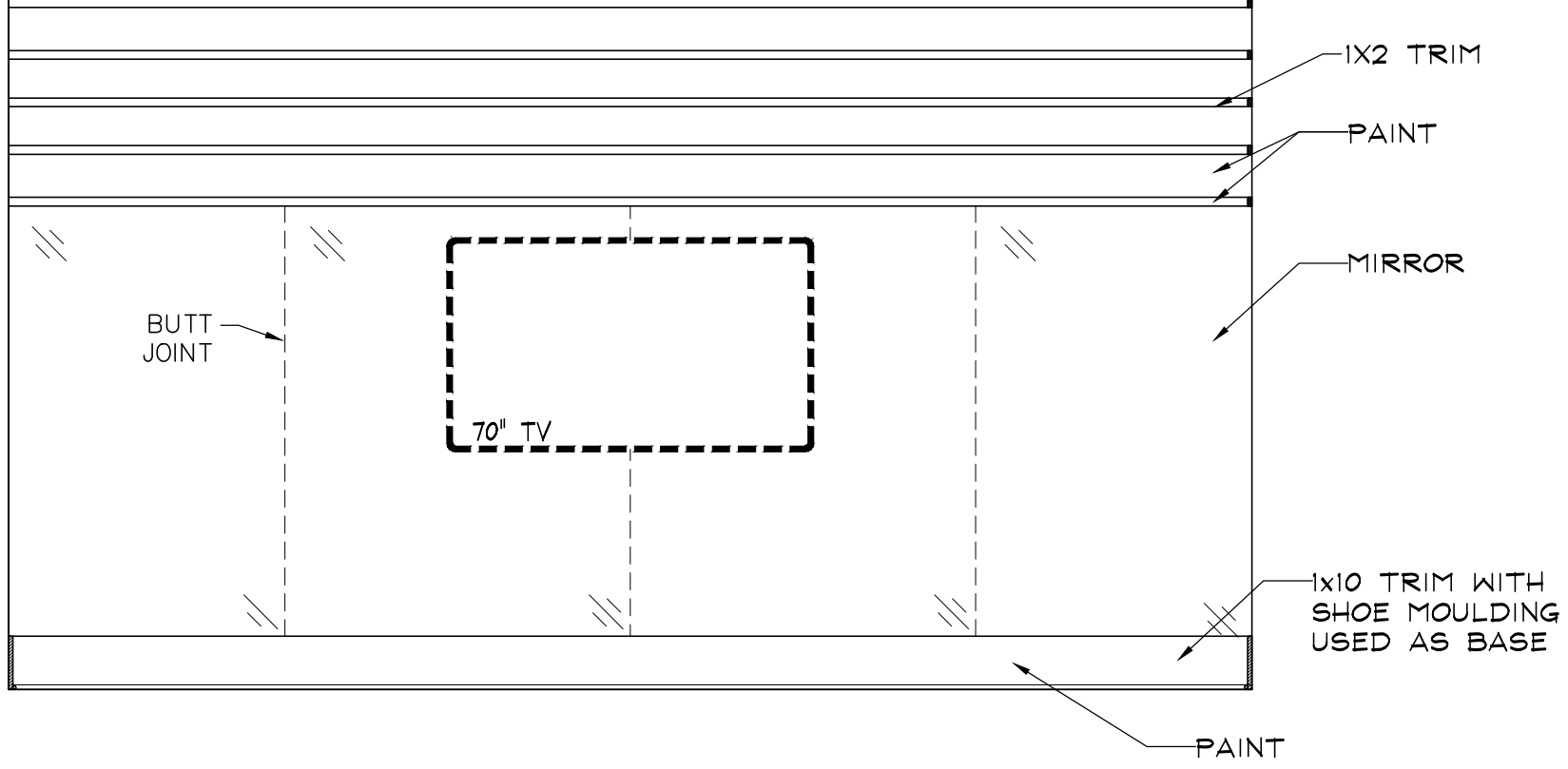
INTERIOR DESIGN * SPACE PLANNING * MARKETING
3025 CHASTAIN MEADOWS SUITE 200 MARIETTA, GEORGIA PHONE 770-4292500 FAX 770-4293201
* EMAIL EMAIL@DESIGNEENVIRONMENTS.COM *

**CLUB AMENITIES @
CANYON TRAILS TOWNE CENTER
GOODYEAR, AZ
EMBREY PARTNERS
PRESENTATION DRAWINGS**

21366

CAD DESIGNER: TP
DESIGNER: JB
PRESENTATION DATE: 00/00/00

This Drawing is the property of
Design Environments Inc.
and may not be reproduced
or used without their
written permission



BUTT JOINT

70" TV

1X2 TRIM

PAINT

MIRROR

1X10 TRIM WITH SHOE MOULDING USED AS BASE

PAINT

YOGA

SCALE: NTS

21366

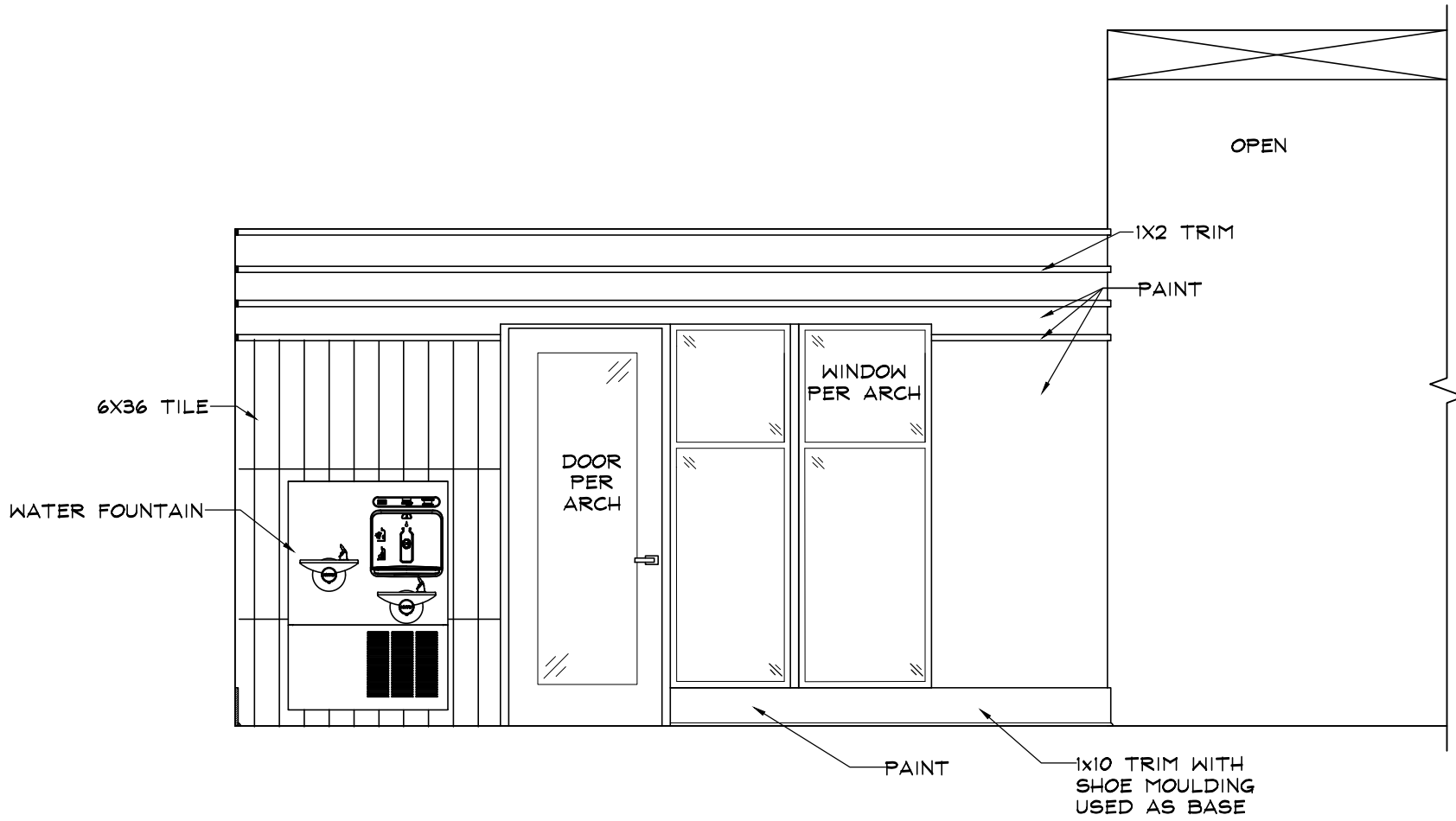
CAD DESIGNER: TP
 DESIGNER: JB
 PRESENTATION DATE: 00/00/00

This Drawing is the property of Design Environments Inc. and may not be reproduced or used without their written permission.

CLUB AMENITIES @
CANYON TRAILS TOWNE CENTER
GOODYEAR, AZ
EMBREY PARTNERS
PRESENTATION DRAWINGS

Design Environments

INTERIOR DESIGN * SPACE PLANNING * MARKETING
 3025 CHASTAIN MEADOWS SUITE 200 MARIETTA, GEORGIA PHONE 770-429-2500 FAX 770-429-3201
 * EMAIL EMAIL@DESIGNEENVIRONMENTS.COM *



LOBBY

SCALE: NTS

21366

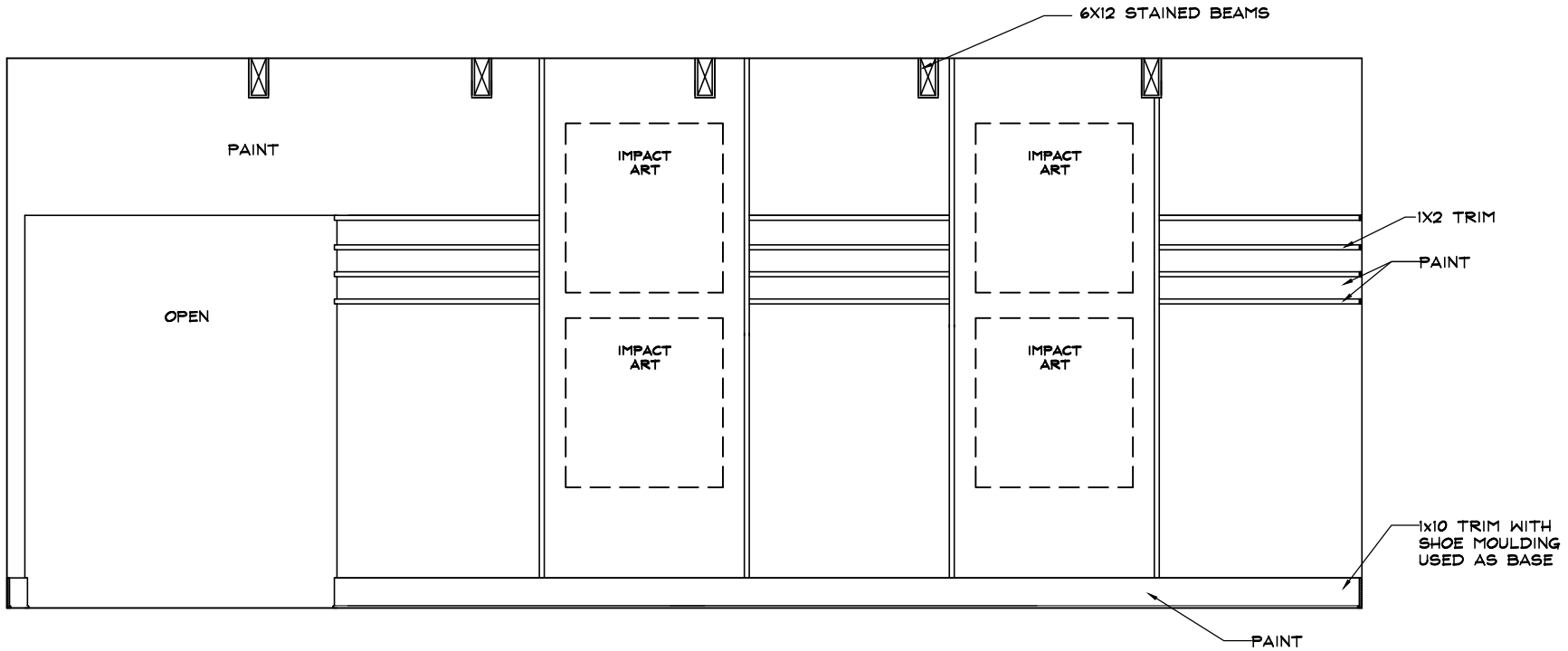
CAD DESIGNER: TP
DESIGNER: JB
PRESENTATION DATE: 00/00/00

This Drawing is the property of Design Environments Inc. and may not be reproduced or used without their written permission.

**CLUB AMENITIES @
CANYON TRAILS TOWNE CENTER
GOODYEAR, AZ
EMBREY PARTNERS
PRESENTATION DRAWINGS**

Design Environments

INTERIOR DESIGN * SPACE PLANNING * MARKETING
3025 CHASTAIN MEADOWS SUITE 200 MARIETTA, GEORGIA PHONE 770-429-2500 FAX 770-429-3201
* EMAIL EMAIL@DESIGNEENVIRONMENTS.COM *



ENTRANCE

SCALE: NTS

21366

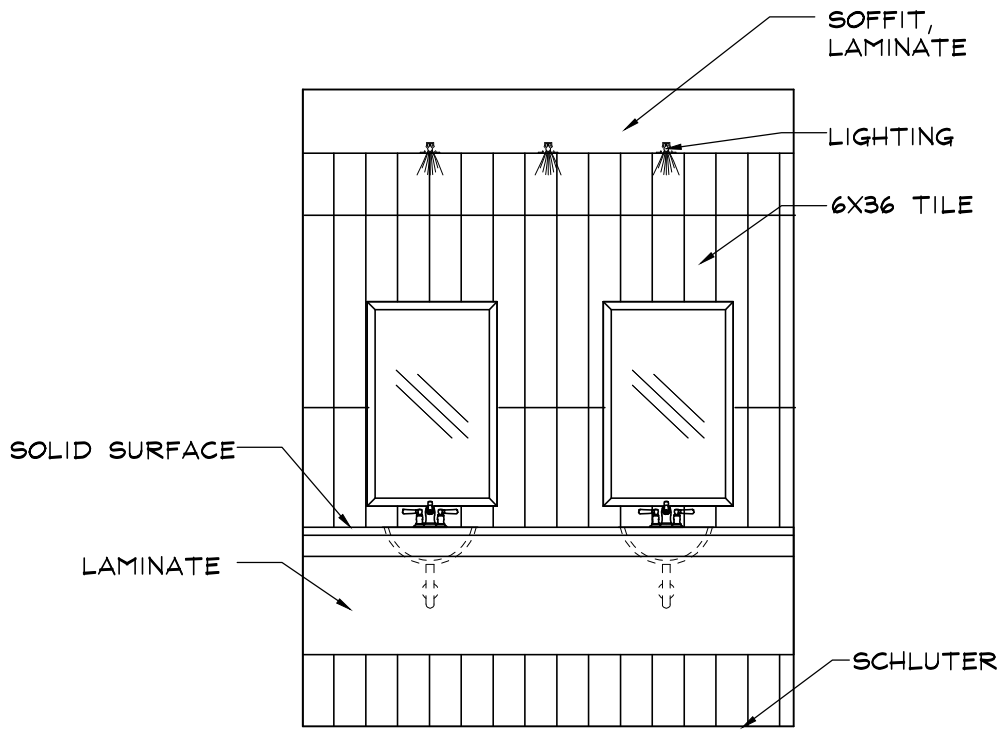
CAD DESIGNER: TP
 DESIGNER: JB
 PRESENTATION DATE: 00/00/00

This Drawing is the property of
 Design Environments Inc.
 and may not be reproduced
 or used without their
 written permission

**CLUB AMENITIES @
 CANYON TRAILS TOWNE CENTER
 GOODYEAR, AZ
 EMBREY PARTNERS
 PRESENTATION DRAWINGS**

Design Environments

INTERIOR DESIGN * SPACE PLANNING * MARKETING
 3025 CHASTAIN MEADOWS SUITE 200 MARIETTA, GEORGIA PHONE 770-429-2500 FAX 770-429-3201
 * EMAIL EMAIL@DESIGNENVIRONMENTS.COM *



MEN'S & WOMEN'S RR
SCALE: NTS

Design Environments
 INTERIOR DESIGN * SPACE PLANNING * MARKETING
 3025 CHASTAIN MEADOWS SUITE 200 MARIETTA, GEORGIA PHONE 770-429-2200 FAX 770-429-3201
 * EMAIL EMAIL@DESIGNENVIRONMENTS.COM *

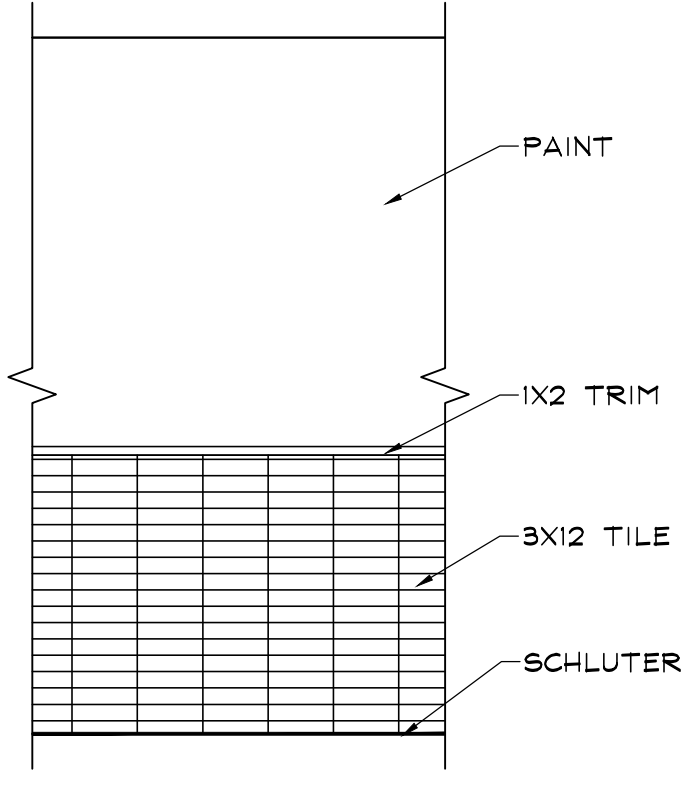
CLUB AMENITIES @
CANYON TRAILS TOWNE CENTER
GOODYEAR, AZ
EMBREY PARTNERS
PRESENTATION DRAWINGS

21366

CAD DESIGNER: TP
 DESIGNER: JB
 PRESENTATION DATE: 00/00/00

This Drawing is the property of Design Environments Inc. and may not be reproduced or used without their written permission.

MEN'S & WOMEN'S RR TYP.
SCALE: NTS



21366

CAD DESIGNER: TP
 DESIGNER: JB
 PRESENTATION DATE: 00/00/00

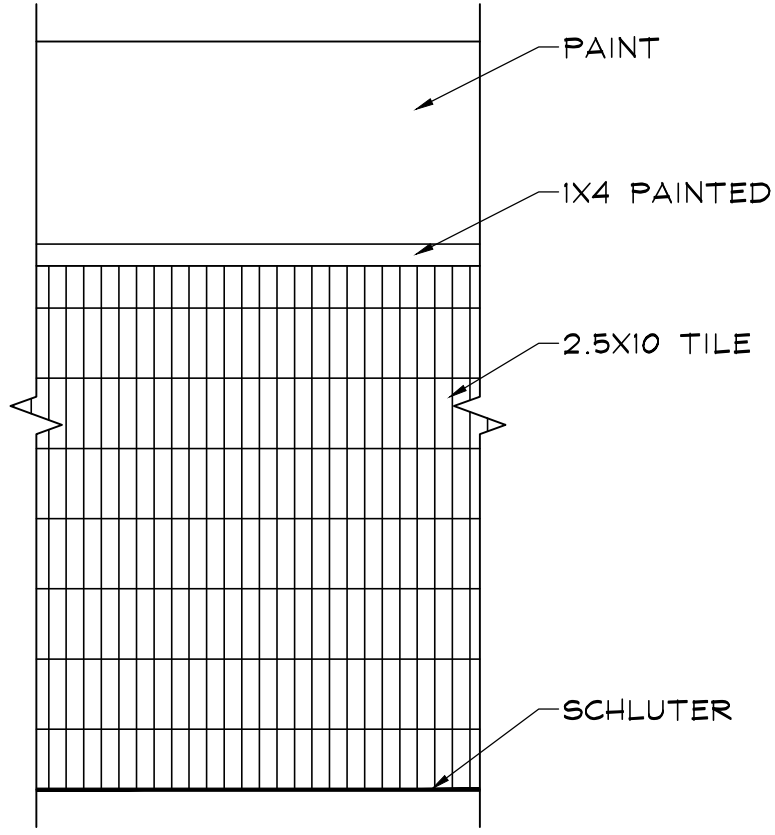
This Drawing is the property of Design Environments Inc. and may not be reproduced or used without their written permission.

**CLUB AMENITIES @
 CANYON TRAILS TOWNE CENTER
 GOODYEAR, AZ
 EMBREY PARTNERS
 PRESENTATION DRAWINGS**

Design Environments
 INTERIOR DESIGN * SPACE PLANNING * MARKETING
 3025 CHASTAIN MEADOWS SUITE 200 MARIETTA, GEORGIA PHONE 770-429-2200 FAX 770-429-3201
 * EMAIL EMAIL@DESIGNENVIRONMENTS.COM *

DOG WASH TYP.

SCALE: NTS



21366

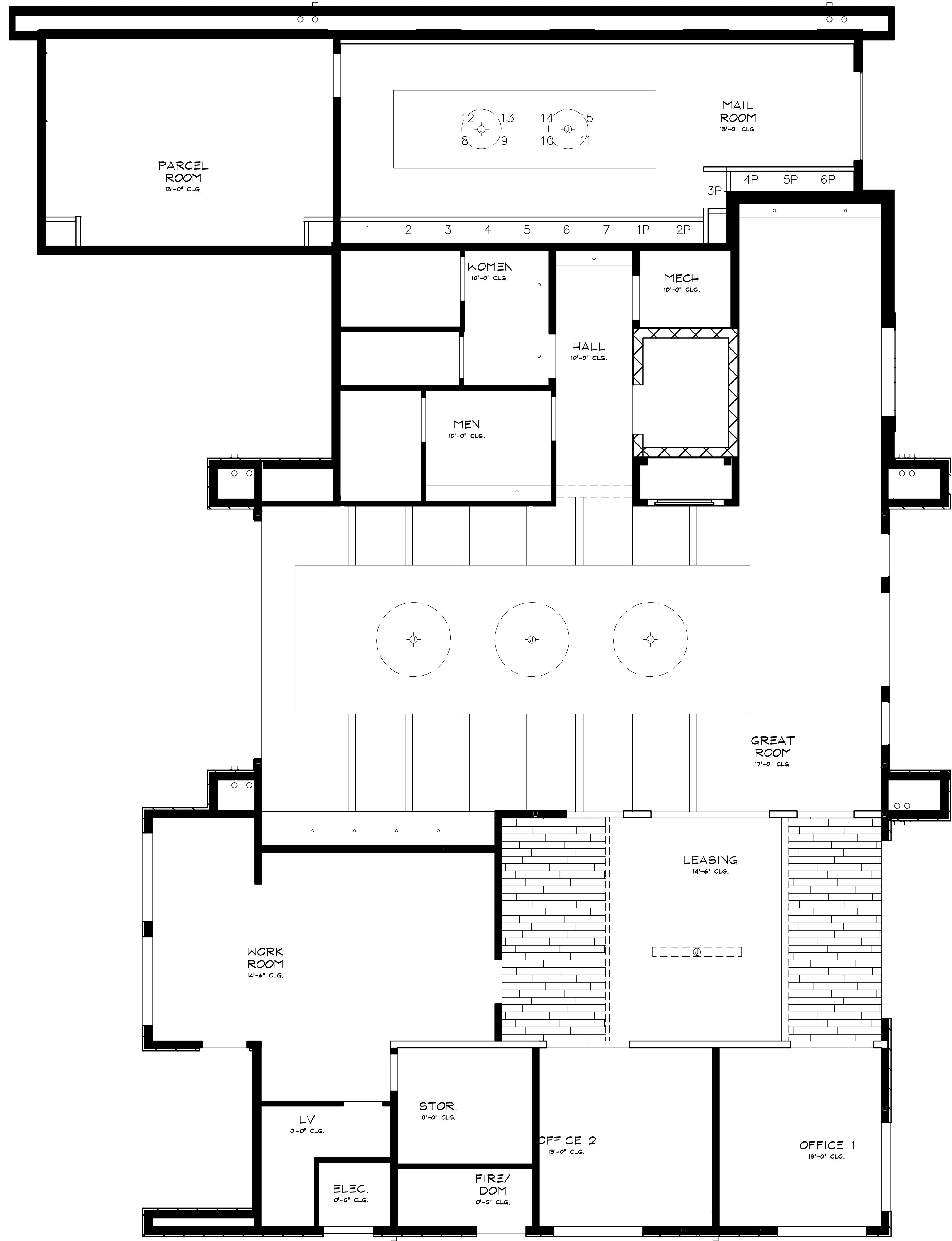
CAD DESIGNER: TP
DESIGNER: JB
PRESENTATION DATE: 00/00/00

This Drawing is the property of Design Environments Inc. and may not be reproduced or used without their written permission.

CLUB AMENITIES @
CANYON TRAILS TOWNE CENTER
GOODYEAR, AZ
EMBREY PARTNERS
PRESENTATION DRAWINGS

Design Environments
INTERIOR DESIGN * SPACE PLANNING * MARKETING
3025 CHASTAIN MEADOWS SUITE 200 MARIETTA, GEORGIA PHONE 770-429-2500 FAX 770-429-3201
* EMAIL EMAIL@DESIGNENVIRONMENTS.COM *

P:\2021-PROJ\21-MISC\21366\PLANS\21366-PLAN-00.dwg Feb 28, 2022 - 1:51pm



1 LOWER LEVEL REFLECTED CEILING PLAN
 10.200 SCALE : 1/4" = 1'-0"

JOB #: 21366
 TITLE: LOWER LEVEL REFLECTED CEILING PLAN
 SHEET: ID.200

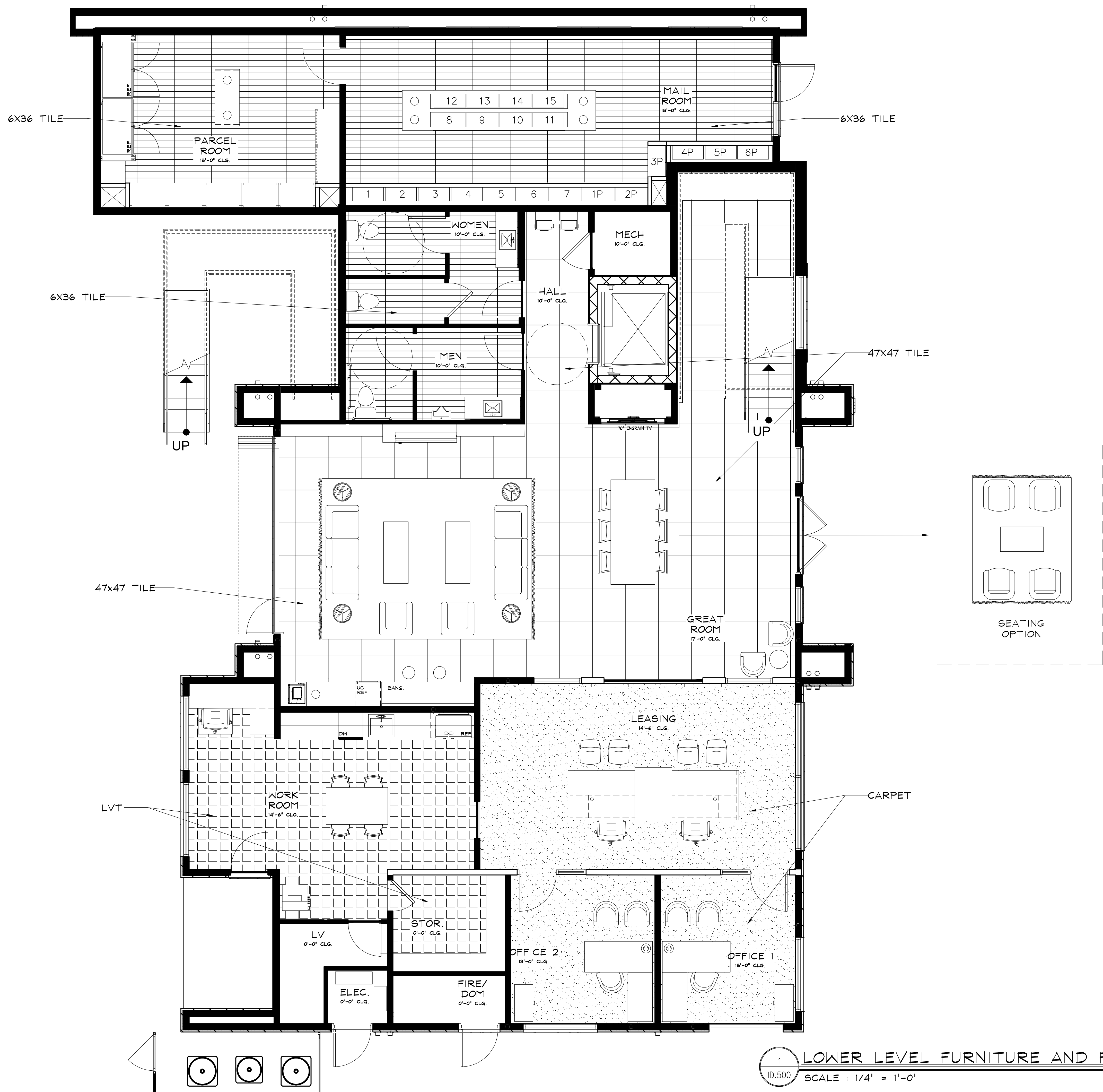
NOT RELEASED FOR CONSTRUCTION
 BEGIN DATE: 10.25.21
 RELEASE DATE: 00/00/00
 DESIGNER: JB
 CAD DESIGNER: TP
 REVIEWED BY: XX, XX, XX

DR.	REV.	DATE	REMARKS

CLUB/ AMENITIES @
 CANYON TRAILS TOWNE CENTER
 GOODYEAR, AZ
 EMBREY PARTNERS

DEi
 DESIGN ENVIRONMENTS
 INTERIOR DESIGN, SPACE PLANNING, MARKETING
 3025 CHASTAIN MEADOWS PARKWAY STE. 200
 PHOENIX, AZ 85028
 PHONE: 770.429.3200 FAX: 770.429.3201
 * EMAIL: EMAIL@DESIGNENVIRONMENTS.COM *
 This Drawing is the property of Design Environments and is not to be reproduced or used without their written permission.

P:\2021-PROJ\21-MISC\21366\PLANS\21366-PLAN-00.dwg Feb 28, 2022 - 1:51pm



1 LOWER LEVEL FURNITURE AND FIXTURES PLAN
 10.500 SCALE : 1/4" = 1'-0"

INTERIOR DESIGN • SPACE PLANNING • MARKETING
 3025 CHASTAIN MEADOWS PARKWAY STE. 200
 PHONE 770-429-3200 FAX 770-429-3201
 E-MAIL EMAIL@DESIGNENVIRONMENTS.COM

DEi
 DESIGN ENVIRONMENTS

This Drawing is the property of Design Environments and is not to be used without their written permission.

CLUB/ AMENITIES @
CANYON TRAILS TOWNE CENTER
GOODYEAR, AZ
EMBREY PARTNERS

DR	REV.	DATE	REMARKS

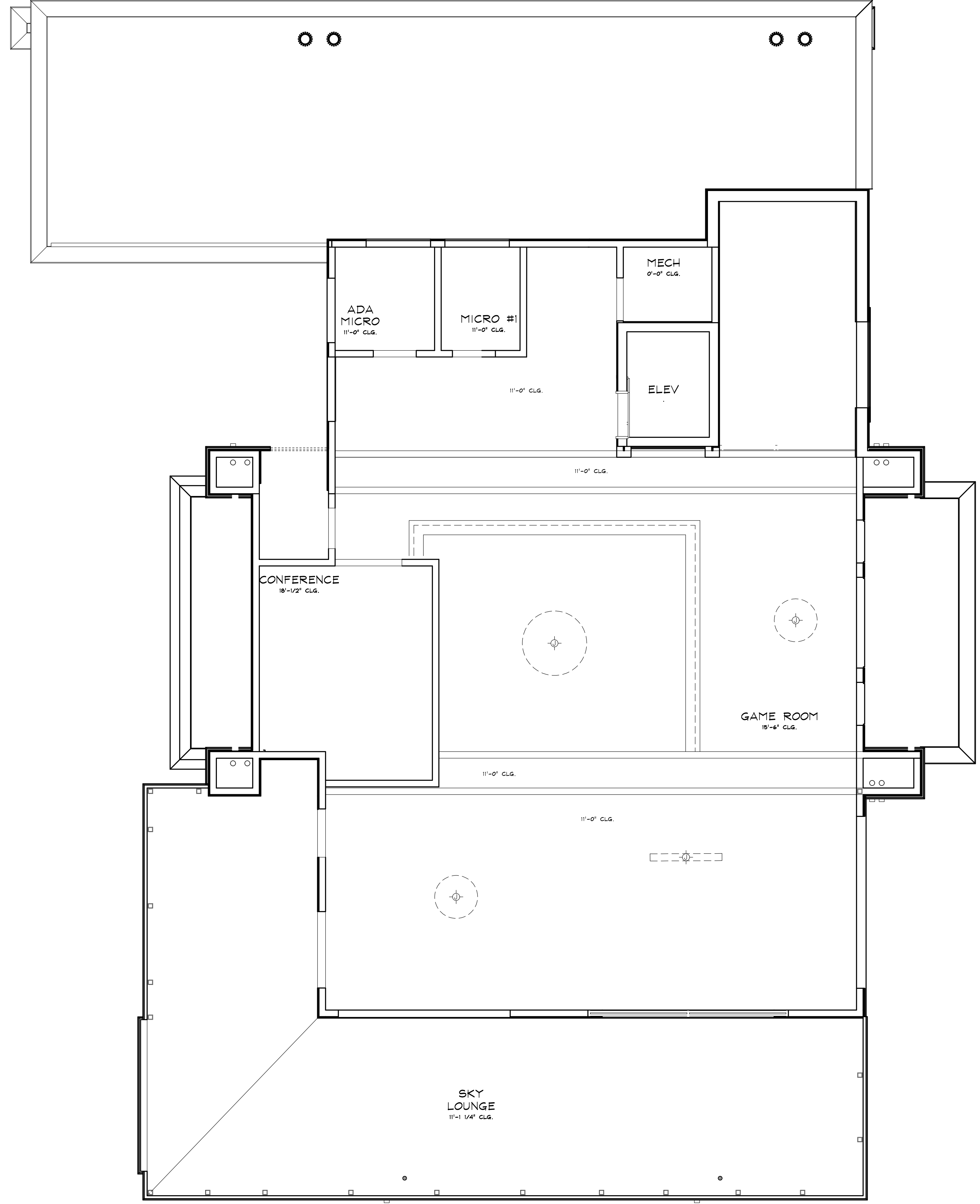
NOT RELEASED FOR CONSTRUCTION

BEGIN DATE: 10.25.21
 RELEASE DATE: 00/00/00
 DESIGNER: JB
 CAD DESIGNER: TP
 REVIEWED BY: XX, XX, XX

JOB #: 21366
 TITLE: LOWER LEVEL FURNITURE AND FIXTURES PLAN
 SHEET: **ID.500**

P:\2021-PROJ\21-MISC\21366\PLANS\21366-PLAN-01.dwg Feb 28, 2022 - 1:52pm

1 UPPER LEVEL REFLECTED CEILING PLAN
 ID.201 SCALE : 1/4" = 1'-0"



JOB # : 21366
 TITLE : UPPER LEVEL REFLECTED CEILING PLAN
 SHEET : ID.201

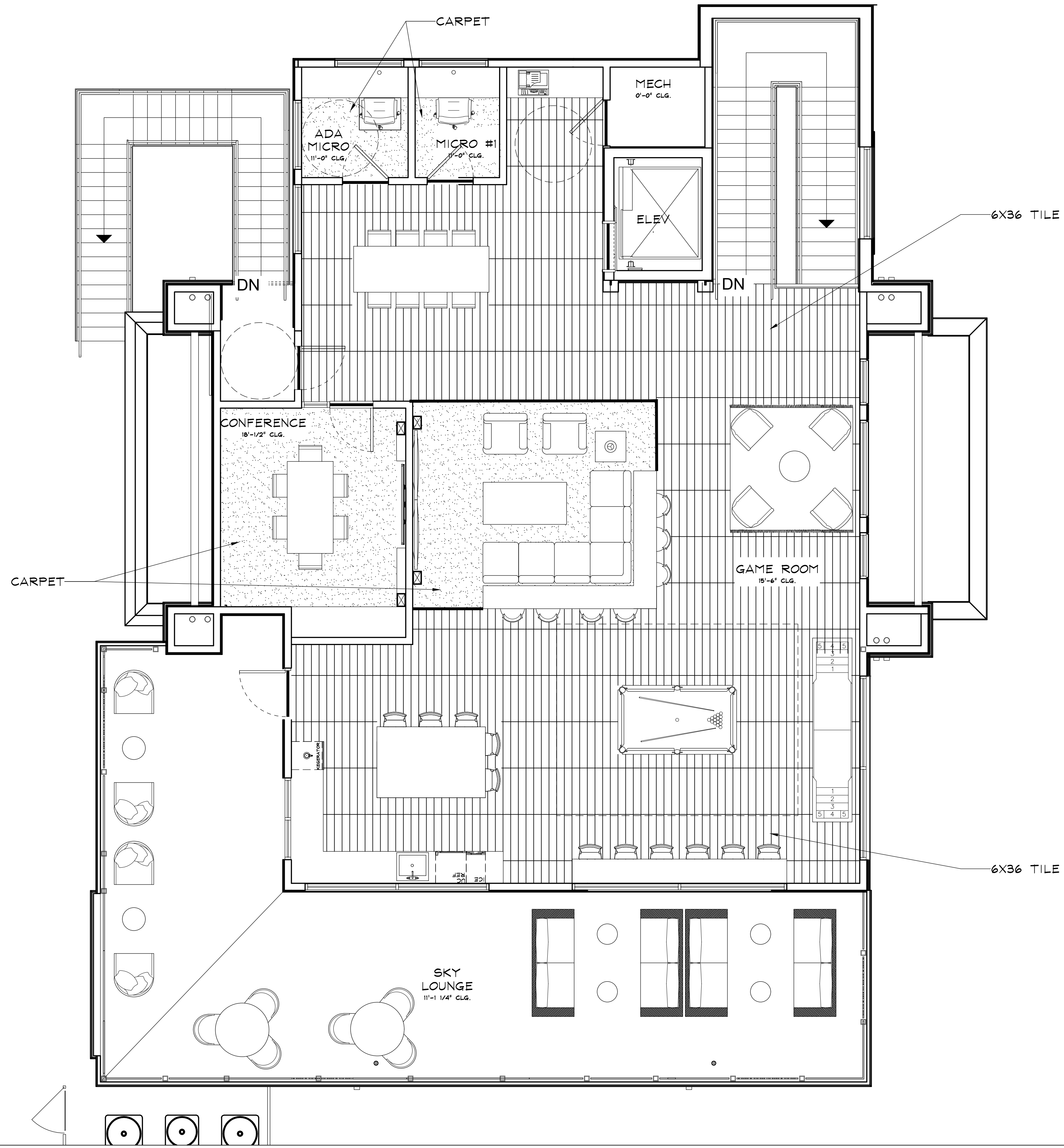
NOT RELEASED FOR CONSTRUCTION
 BEGIN DATE: 10.25.21
 RELEASE DATE: 00/00/00
 DESIGNER: JB
 CAD DESIGNER: TP
 REVIEWED BY: XX, XX, XX

REVISIONS		DATE	REMARKS	HR
DR	REV			X

CLUB/ AMENITIES @
 CANYON TRAILS TOWNE CENTER
 GOODYEAR, AZ
 EMBREY PARTNERS

DEi
 DESIGN ENVIRONMENTS
 INTERIOR DESIGN • SPACE PLANNING • MARKETING
 3025 CHASTAIN MEADOWS PARKWAY STE. 200
 PHOENIX, AZ 85028-3200 FAX 770-429-5201
 * EMAIL: EMAIL@DESIGNENVIRONMENTS.COM *
 This Drawing is the property of Design Environments and is not to be used without their written permission.

1 UPPER LEVEL FURNITURE AND FIXTURES PLAN
ID.501 SCALE : 1/4" = 1'-0"



INTERIOR DESIGN • SPACE PLANNING • MARKETING
 3025 CHASTAIN MEADOWS PARKWAY STE. 200
 PHONE 770-429-3200 FAX 770-429-3201
 E-MAIL EMAIL@DESIGNENVIRONMENTS.COM

DEi
 DESIGN ENVIRONMENTS

This Drawing is the property of Design Environments and is not to be used without their written permission.

CLUB/ AMENITIES @
CANYON TRAILS TOWNE CENTER
GOODYEAR, AZ
EMBREY PARTNERS

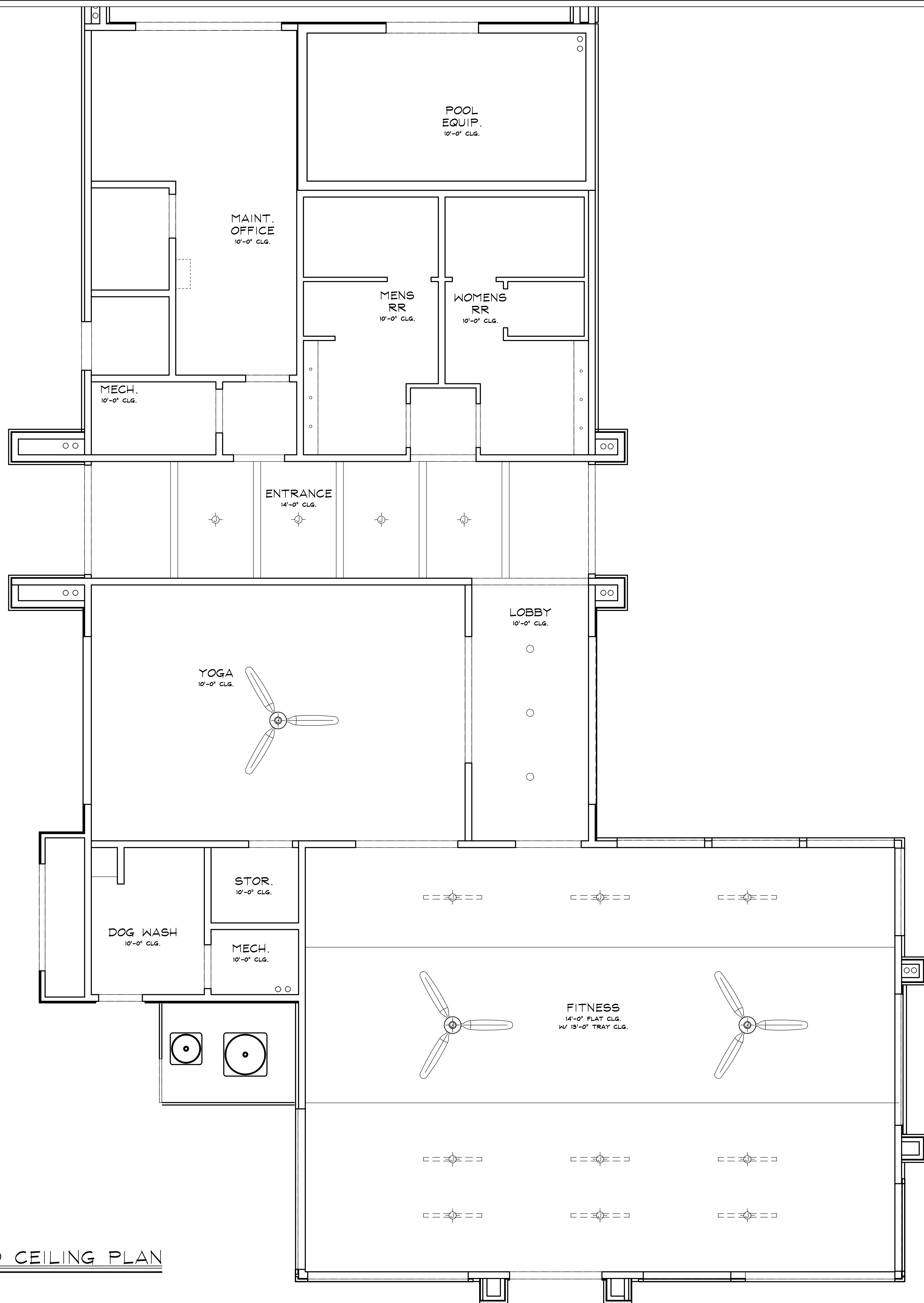
DR	REV.	DATE	REMARKS	IRS
				X

NOT RELEASED FOR CONSTRUCTION
 BEGIN DATE: 10.25.21
 RELEASE DATE: 00/00/00
 DESIGNER: JB
 CAD DESIGNER: TP
 REVIEWED BY: XX, XX, XX

JOB #: 21366
 TITLE: UPPER LEVEL FURNITURE AND FIXTURES PLAN
 SHEET: **ID.501**

P:\2021-PROJ\21-MISC\21366\PLANS\21366-PLAN-02.dwg Feb 28, 2022 - 1:56pm

1 UPPER LEVEL REFLECTED CEILING PLAN
 ID.202 SCALE : 1/4" = 1'-0"



JOB # : 21366
 TITLE : UPPER LEVEL REFLECTED CEILING PLAN
 SHEET : ID.202

NOT RELEASED FOR CONSTRUCTION
 BEGIN DATE: 10.25.21
 RELEASE DATE: 00/00/00
 DESIGNER: JB
 CAD DESIGNER: TP
 REVIEWED BY: XX, XX, XX

DR	REV.	DATE	REMARKS

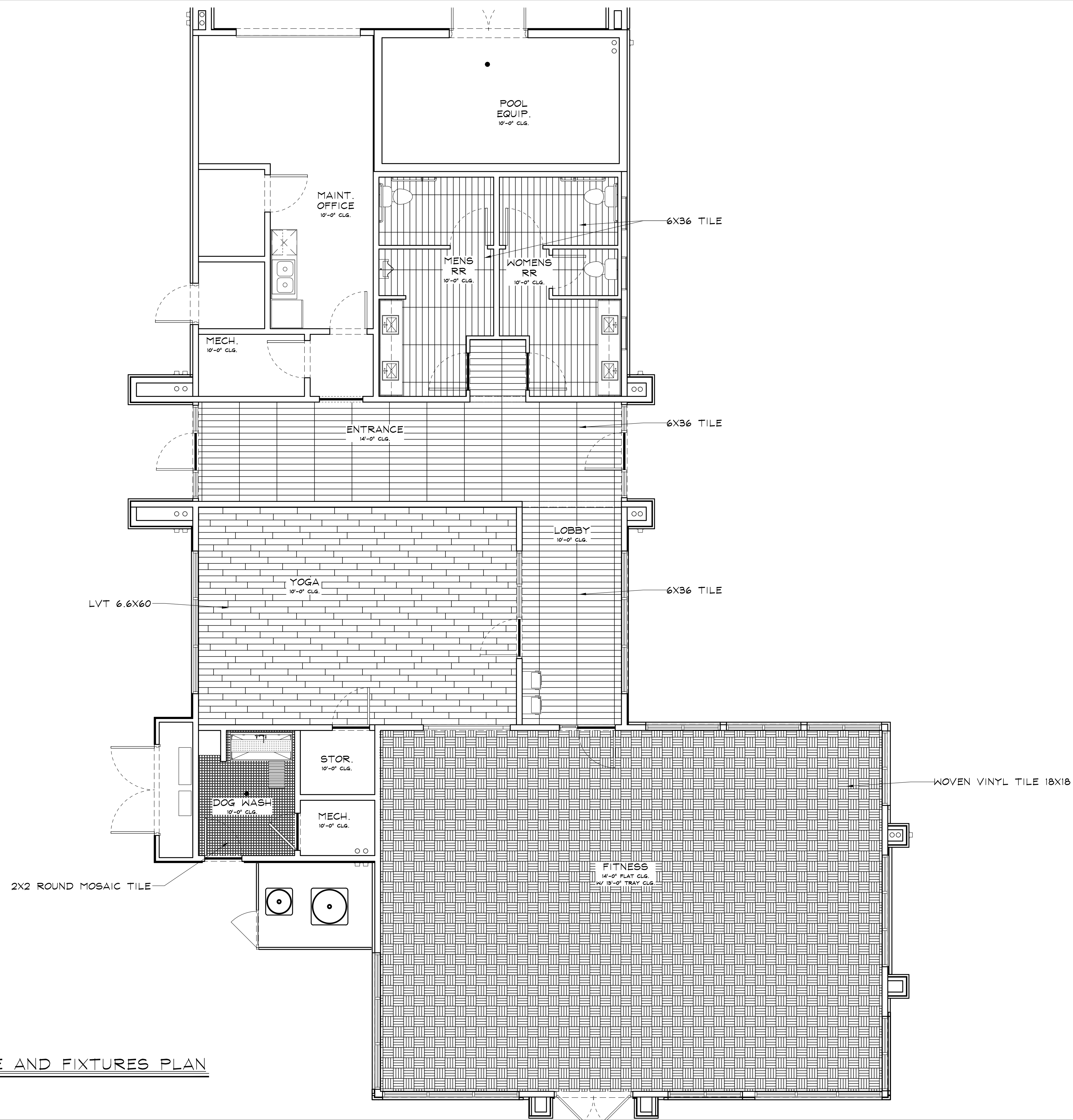
CLUB/ AMENITIES @
 CANYON TRAILS TOWNE CENTER
 GOODYEAR, AZ
 EMBREY PARTNERS

DEi
 DESIGN ENVIRONMENTS

INTERIOR DESIGN, SPACE PLANNING, MARKETING
 3025 CHASTAIN MEADOWS PARKWAY STE. 200
 PHOENIX, AZ 85028-3200 FAX: 770-429-5201
 * EMAIL: EMAIL@DESIGNENVIRONMENTS.COM *

This Drawing is the property of Design Environments and is not to be used without their written permission.

1
10.502 UPPER LEVEL FURNITURE AND FIXTURES PLAN
SCALE : 1/4" = 1'-0"



JOB # : 21366
TITLE :
UPPER LEVEL FURNITURE
AND FIXTURES PLAN
SHEET :
ID.502

**NOT RELEASED
FOR CONSTRUCTION**
BEGIN DATE: 10.25.21
RELEASE DATE: 00/00/00
DESIGNER: JB
CAD DESIGNER: TP
REVIEWED BY: XX, XX, XX

REVISIONS

DR	REV.	DATE	REMARKS

**CLUB/ AMENITIES @
CANYON TRAILS TOWNE CENTER
GOODYEAR, AZ
EMBREY PARTNERS**

DEi
DESIGN
ENVIRONMENTS
INTERIOR DESIGN, SPACE PLANNING, MARKETING
3025 CHASTAIN MEADOWS PARKWAY STE. 200
PHOENIX, AZ 85028-1000 PHONE: 770.429.3200 FAX: 770.429.3201
E-MAIL: EMAIL@DESIGNENVIRONMENTS.COM
This Drawing is the property of Design
Environments and is not to be copied or
used without their written permission.